

BAMBINO 2 GROUP ESPRESSO COFFEE MACHINE

(Parts List)

**Fracino Ltd.
17-19 Birch Road East
Birmingham
B6 7DA**

**Tel: 0121 328 5757
Fax: 0121 327 3333
email: sales@fracino.co.uk**

Contents

Page

| | |
|-----|----------------------------|
| 3-6 | Parts list |
| 8 | Bodywork |
| 9 | Bodywork (auto version) |
| 10 | Chassis |
| 11 | Boiler |
| 12 | Group |
| 13 | Brewing cup |
| 14 | Manifold |
| 15 | Sight glass |
| 16 | Steam and hot water valves |

| Part No. | Description | Quantity | | |
|-----------|---------------------------------|----------|--|--|
| | Body Work | | | |
| BAM2CS | Cup shield | 1 | | |
| BAM231 | Cup tray top | 1 | | |
| BAM242 | Left end panel (black) | 1 | | |
| BAM242S | Left end panel (St. steel) | 1 | | |
| BAM243 | Right end panel (black) | 1 | | |
| BAM242S | Right end panel (St. steel) | 1 | | |
| BAM249 | Front panel (groups) | 1 | | |
| BAM240 | Rear panel | 1 | | |
| BAM243 | Drip tray inner (cups) | 1 | | |
| BAM237 | Drip tray outer | 1 | | |
| BAM258 | Drip tray bottom band | 1 | | |
| FC189 | Main power switch | 1 | | |
| FC189 | Group switch | 2 | | |
| FC190/9 | Neon illuminator | 1 | | |
| FC116 | Cable grommet | 2 | | |
| | | | | |
| | Chassis | | | |
| BAM228 | Chassis | 1 | | |
| FC140/A | Waste cup valve | 1 | | |
| BAM222AA | Steam assembly (complete) | 1 | | |
| BAM222AB | Hot water assembly (complete) | 1 | | |
| FC224 | Rubber feet | 4 | | |
| FC14012 | Expansion valve to waste cup | 1 | | |
| FC178D | Expansion valve outlet fitting | 1 | | |
| FC178C | Manifold nut | 1 | | |
| FC179 | Pressure gauge | 1 | | |
| FC179A | Pressure gauge bracket | 1 | | |
| BAM152 | Pressure gauge to boiler | 1 | | |
| FC179B | 1/8" Lock nut | 2 | | |
| BAM153 | Pressure gauge to manifold pipe | 1 | | |
| FC224 | Pump motor | 1 | | |
| FC225 | Pump head (inc. retaining clip) | 1 | | |
| FC226 | Anti vibration feet | 4 | | |
| FC137 | Inlet hose | 1 | | |
| FC169 | Pressure switch lock | 1 | | |
| FC169A | Pressure switch nut | 1 | | |
| FC172A | Boiler controller | 1 | | |
| FC187 | Sight glass assembly (complete) | 1 | | |
| FC157/2.5 | Cable restraining bush | 1 | | |
| | | | | |
| | | | | |
| | | | | |
| | | | | |
| | | | | |
| | | | | |

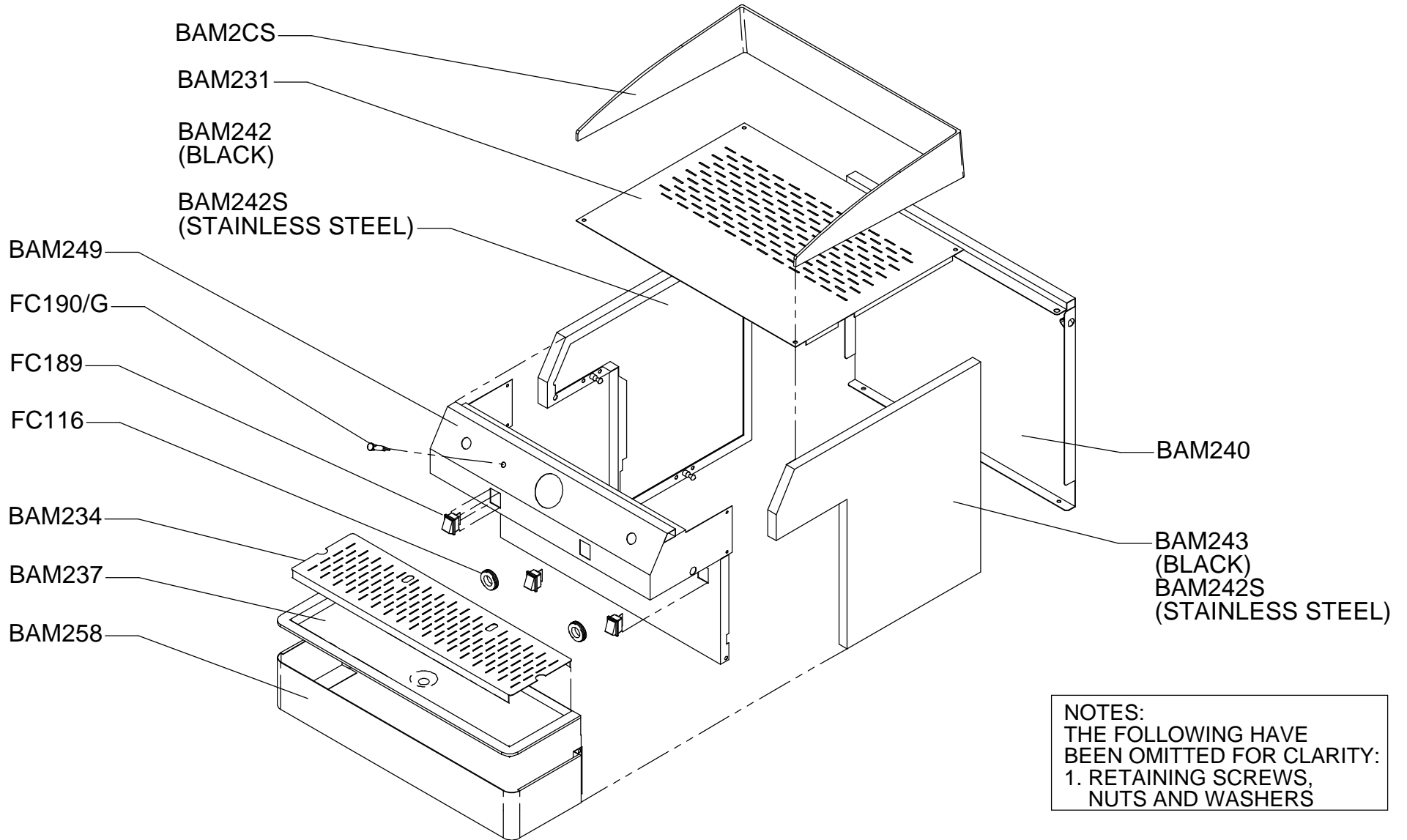
| Part No. | Description | Quantity | | |
|----------|---|----------|--|--|
| | Boiler | | | |
| BAM84 | Boiler/Safety | 1 | | |
| FC134 | Valve | 1 | | |
| FC191 | Probe | 1 | | |
| FC162/C | Element 2850W | 1 | | |
| BAM149 | Steam valve to boiler | 1 | | |
| BAM147 | Heat exchange to group (top) | 2 | | |
| BAM151 | Pressure switch to boiler | 1 | | |
| BAM150 | Hot water valve to boiler | 1 | | |
| FC148 | Heat exchange to group (bottom) | 2 | | |
| BAM141/2 | Manifold to heat exchange pipe | 1 | | |
| FC146/2A | Manual fill/solenoid valve to boiler pipe | 1 | | |
| LG145 | Sight glass to boiler | 2 | | |
| FC165 | Element to gasket | 1 | | |
| | | | | |
| | Manifold | | | |
| FC138A | Manifold forged | 1 | | |
| FC170 | Manual fill valve | 1 | | |
| FC178G | Adjustment screw | 1 | | |
| FC178B | Expansion valve spring | 1 | | |
| FC178FV2 | Expansion valve jumper | 1 | | |
| FC171 | Inlet solenoid valve | 1 | | |
| FC137 | Braded inlet hose | 1 | | |
| FC180CN | M20 Locknut | 1 | | |
| FC198 | Pad Washer | 1 | | |
| FC178C | 'O' Ring. Silicon | 1 | | |
| FC178/D | 3/8 x 14 special fitting | 1 | | |
| FC180ANT | Non return valve fitting | 1 | | |
| FC180BNT | Non return valve stem | 1 | | |
| FC180DNT | Non return valve spring | 1 | | |
| | | | | |
| | Auto Version | | | |
| FC92 | Flow meter | 2 | | |
| BAM154/2 | Manifold to flow meter pipe | 1 | | |
| BAM155 | Flow meter to heat exchange pipe | 2 | | |
| | | | | |
| | | | | |
| | | | | |
| | | | | |
| | | | | |
| | | | | |
| | | | | |
| | | | | |
| | | | | |
| | | | | |
| | | | | |
| | | | | |

| Part No. | Description | Quantity | | |
|--------------|------------------------------------|----------|--|--|
| | Filter Holder | | | |
| FC107 | Single filter (7grm) | 1 | | |
| FC107/D (10) | Single filter (10 grm) | 1 | | |
| FC107 POD | Single pod filter | 1 | | |
| FC110 | Filter spring | 2 | | |
| FC111A | Single beak | 1 | | |
| FC105 | Single filter holder complete | 1 | | |
| FC108 (12) | Double filter (12grm) | 1 | | |
| FC108/D (14) | Double filter (14grm) | 1 | | |
| FC108 POD | Double pod filter | 1 | | |
| FC105A | Double filter holder complete | 1 | | |
| FC112 | Double beak (closed) | 1 | | |
| FC112/I | Double beak (open) | 1 | | |
| FC112/AF | Double beak adjustable flow | 1 | | |
| FC111A | Single beak curved | 1 | | |
| | | | | |
| | Group | | | |
| FC132B | Blank nut small | 1 | | |
| FC99 | Group body | 1 | | |
| FC104 | Filter holder washer (8.0mm tck) | 1 | | |
| FC104/85 | Filter holder washer (8.5mm tck) | 1 | | |
| FC104/9 | Filter holder washer (9.0mm tck) | 1 | | |
| FC104P | Filter holder paper packing | 1 | | |
| FC104B | Filter holder washer locking plate | 1 | | |
| FC103M | Shower plate | 1 | | |
| FC103S | Shower plate screw | 1 | | |
| FC97B | Group cowl | 1 | | |
| FC132A | Top jet filter holder | 1 | | |
| FC130 | Filter | 1 | | |
| FC129A | Jet | 1 | | |
| FC101 | Group gasket | 1 | | |
| FC120 | Solenoid base 'O' ring | 2 | | |
| FC116 | Solenoid base | 1 | | |
| FC119 | Solenoid base screws | 4 | | |
| FC121 | Solenoid nucleus body | 1 | | |
| FC121/V | Solenoid nucleus viton | 1 | | |
| FC122 | Solenoid outer case | 1 | | |
| FC124/1 | Solenoid coil (sealed) | 1 | | |
| FC124A | Coil washer | 1 | | |
| FC124B | Coil spring washer | 1 | | |
| FC1214C | Coil lock nut | 1 | | |
| FC95N | Exhaust fitting | 1 | | |
| | | | | |
| | | | | |
| | | | | |
| | | | | |

| Part No. | Description | Quantity | | |
|------------|--|----------|--|--|
| | Sight Glass Assembly | | | |
| VES181 | Sight glass | 1 | | |
| FC182 | Sight glass 'o' ring viton | 2 | | |
| FC183 | Sight glass brass ring | 2 | | |
| FC184 | Sight glass top holder | 1 | | |
| FC182 | 'O' ring (sight glass top holder) | 1 | | |
| FC185 | Sight glass bottom holder (including drain plug) | 1 | | |
| FC185A | Sight glass holder | - | | |
| FC185B | Sight glass drain plug (chrome) | - | | |
| FC186 | Sight glass retaining nut | 2 | | |
| LG191 | Probe (working level) | 1 | | |
| LG191A | Probe St. steel rod | - | | |
| FC191B | Probe insulator | - | | |
| FC196B | 3/8" BSP Lock nut | 2 | | |
| FC196C | 3/8" BSP St. steel washer | 2 | | |
| LG190G | Neon green water fill | 1 | | |
| | | | | |
| | Water and Steam Wand Valves | | | |
| BAM222AB | Hot water valve and tube assembly (complete) | 1 | | |
| BAM222AA | Steam valve and tube assembly (complete) | 1 | | |
| ROM222M | Cap for hand wheel (hot water) chrome | 1 | | |
| ROM222L | Cap for hand wheel (steam) chrome | 1 | | |
| FC222K/D91 | 'R' Holding clip St. steel | 2 | | |
| FC222J | St. steel securing washer | 2 | | |
| FC222H/R | Hand wheel curved sided (black) | | | |
| ROM222H | Hand wheel curved sided glitter | 2 | | |
| FC222N | Hand wheel tension spring | 2 | | |
| FC222P | Spring retaining cup | 2 | | |
| FC222Q | Hand wheel spacer | 2 | | |
| FC196B | Lock nut 1/2" BSP | 2 | | |
| FC222R | Valve head and steam guide | 2 | | |
| FC222S | 'O' Rings valve stems | 4 | | |
| FC222T | Brass gland stem seal | 2 | | |
| FC222U | Spring (valve stem) | 2 | | |
| FC222V | Valve stem with jumper | 2 | | |
| FC198A | Pad washer | 2 | | |
| FC222A | Valve body | 2 | | |
| FC222G | Seal | 2 | | |
| FC222C | Spring (steam pipe) | 2 | | |
| FC222F/M | Brass spacer spherical 'end mod' | 2 | | |
| FC222E/M | 'O' ring spherical 'end mod' | 2 | | |
| FC221D | Steam/water tube retaining nut | 2 | | |
| BAM2221ES | Water pipe St. steel | 1 | | |

| | | | | |
|------------|----------------------------------|---|--|--|
| BAM222X/SS | Steam pipe St. steel | 1 | | |
| FC194/D | Non-splash hot water nozzle | 1 | | |
| FC194/B | Steam jet nozzles standard | 1 | | |
| FC56 | Safety clip for steam/water pipe | 2 | | |
| | | | | |
| | Miscellaneous | | | |
| FC158 | Power cable (integral plug) | 1 | | |
| FC159/2GR | Harness wiring (auto) | 1 | | |
| FC160/2GR | Harness wiring (semi) | 1 | | |
| | | | | |
| | | | | |
| | | | | |
| | | | | |

BAMBINO (2 GROUP ESPRESSO COFFEE MACHINE)

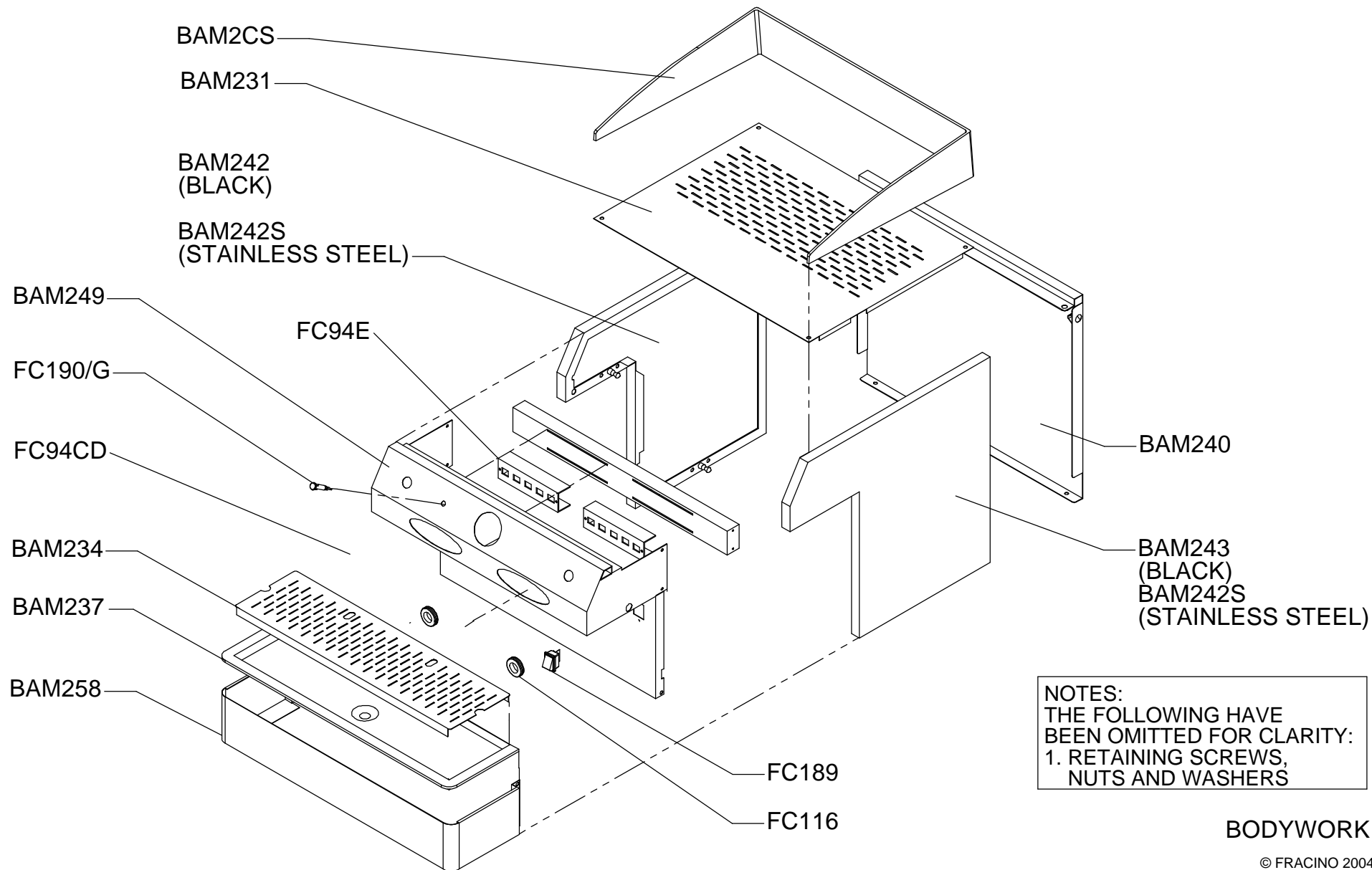


NOTES:
THE FOLLOWING HAVE
BEEN OMITTED FOR CLARITY:
1. RETAINING SCREWS,
NUTS AND WASHERS

BODYWORK

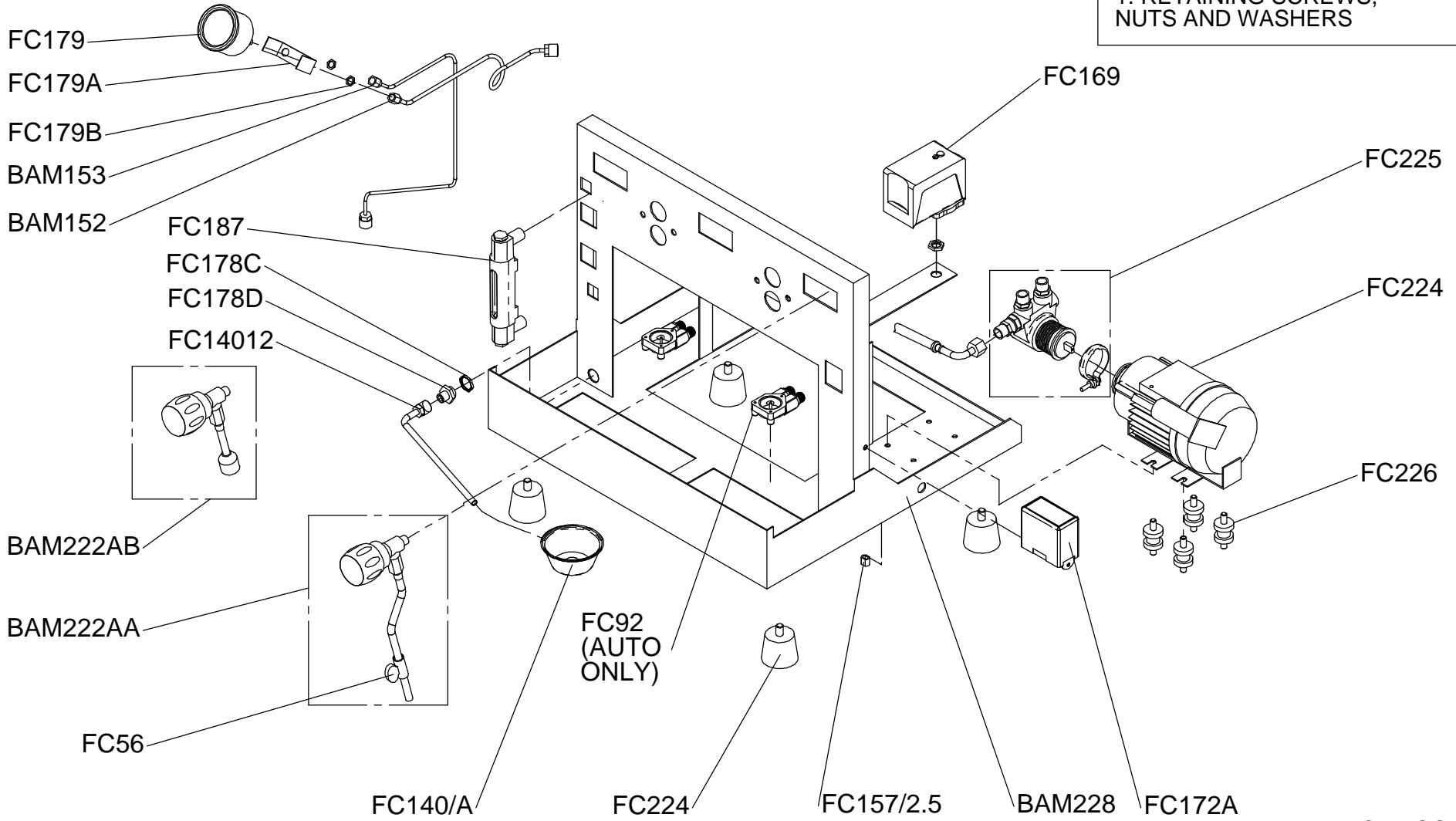
© FRACINO 2004

BAMBINO (2 GROUP ESPRESSO COFFEE MACHINE) **AUTO VERSION**

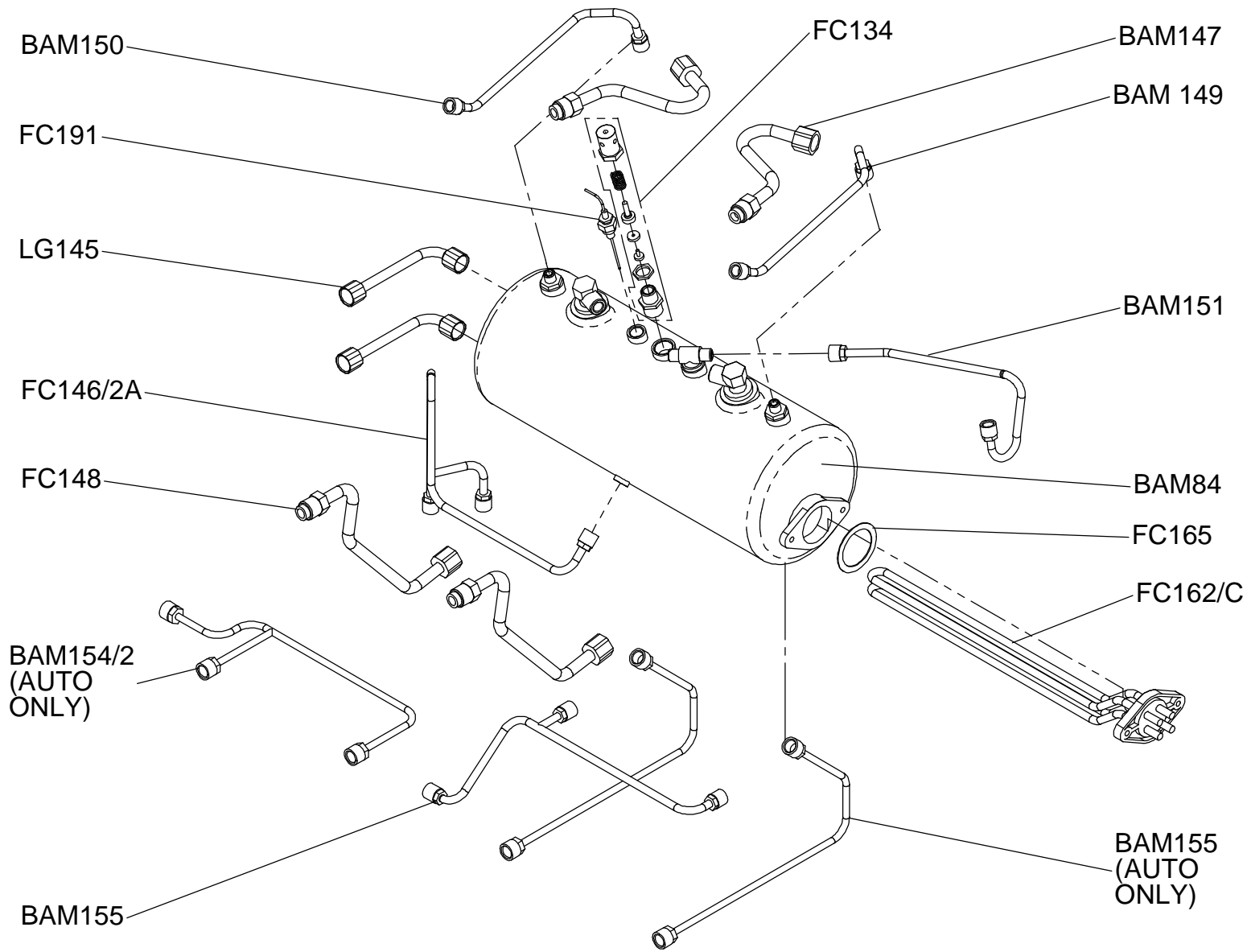


BAMBINO (2 GROUP ESPRESSO COFFEE MACHINE)

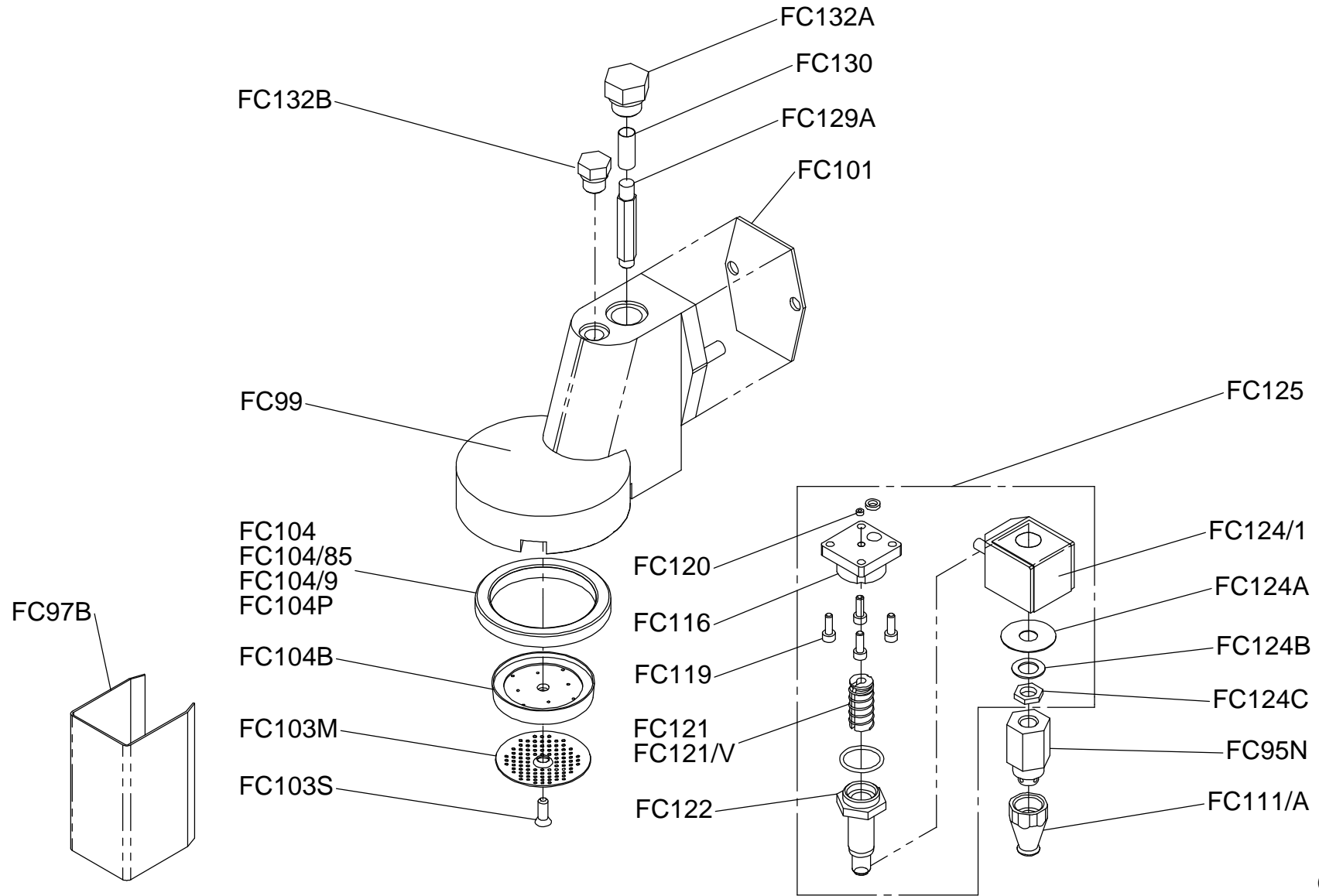
NOTES:
THE FOLLOWING HAVE
BEEN OMITTED FOR CLARITY:
1. RETAINING SCREWS,
NUTS AND WASHERS



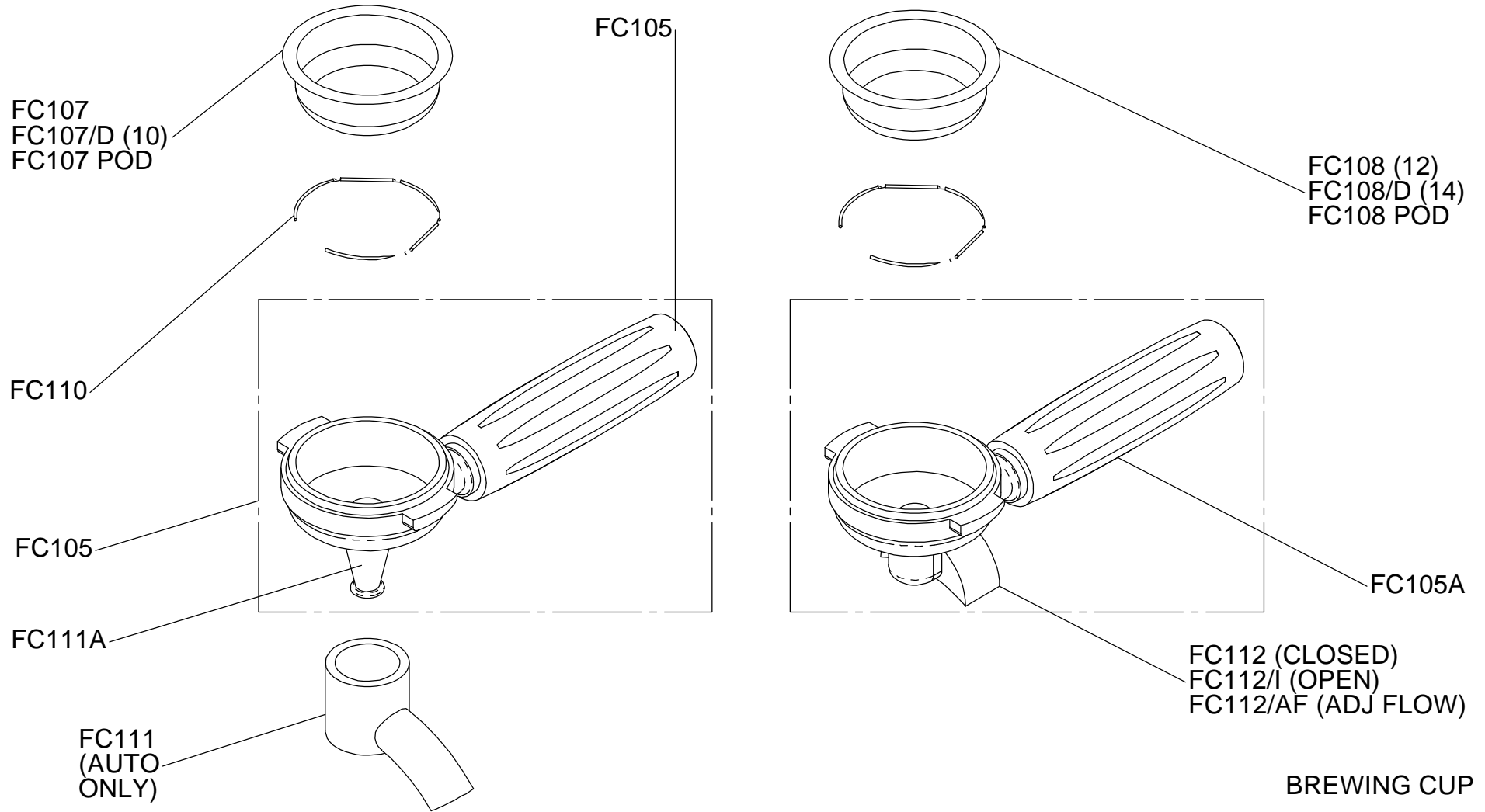
BAMBINO (2 GROUP ESPRESSO COFFEE MACHINE)



BAMBINO (2 GROUP ESPRESSO COFFEE MACHINE)



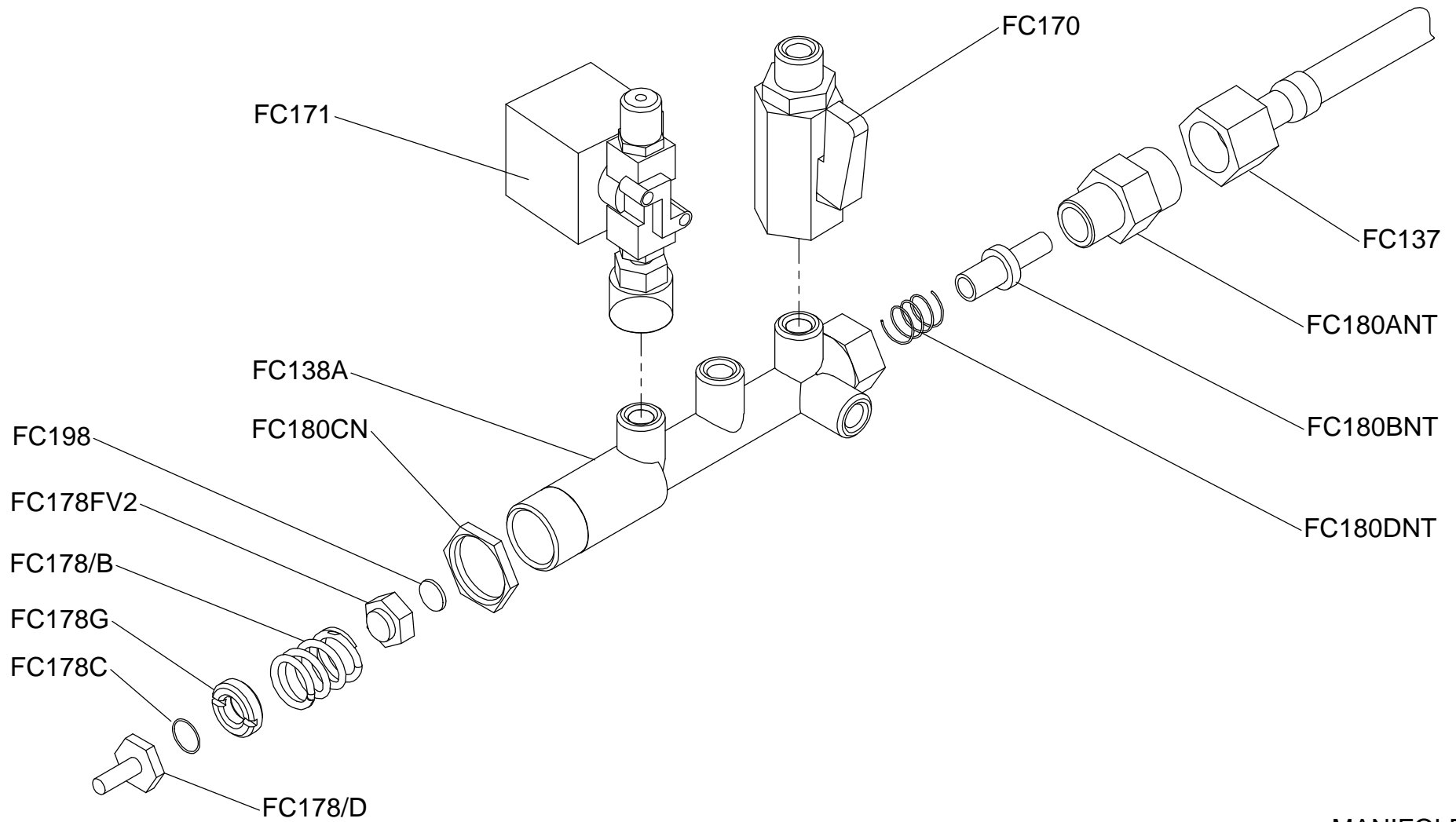
BAMBINO (2 GROUP ESPRESSO COFFEE MACHINE)



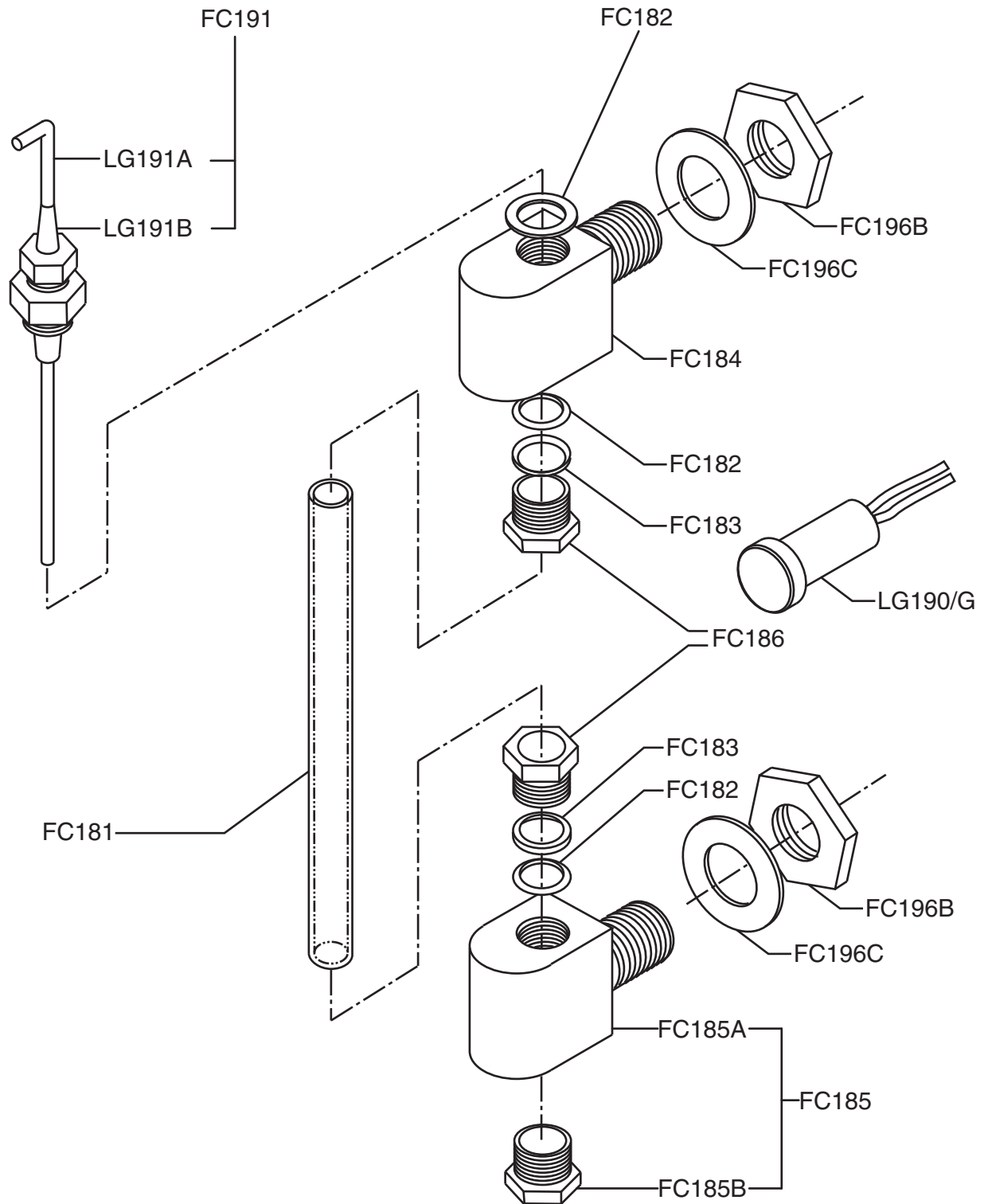
BREWING CUP

© FRACINO 2004

BAMBINO (2 GROUP ESPRESSO COFFEE MACHINE)



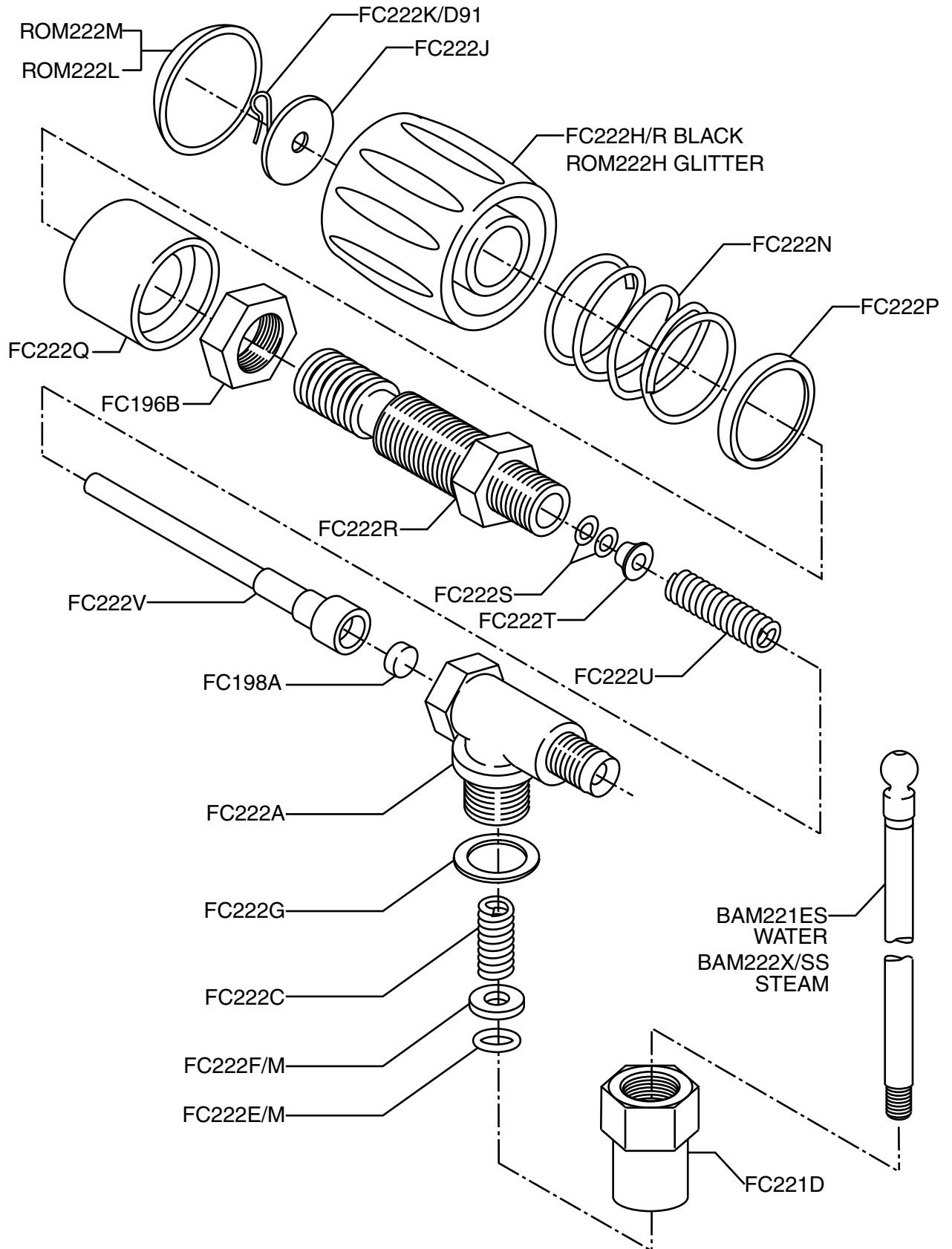
BAMBINO (2 GROUP ESPRESSO COFFEE MACHINE)



SIGHT GLASS

© FRACINO 2004

BAMBINO (2 GROUP ESPRESSO COFFEE MACHINE)



STEAM & HOT WATER VALVES

Circuit diagram two group MC's fitted with FC91/2/NT (ET30)

