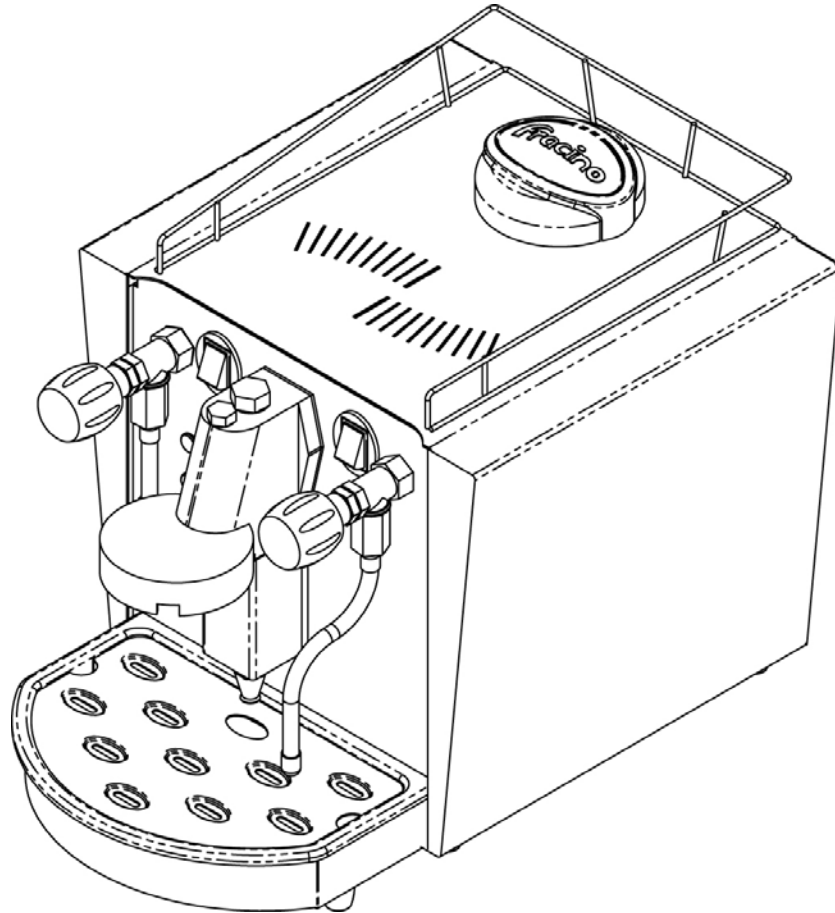


CHERUB

ESPRESSO COFFEE MACHINE PARTS LIST



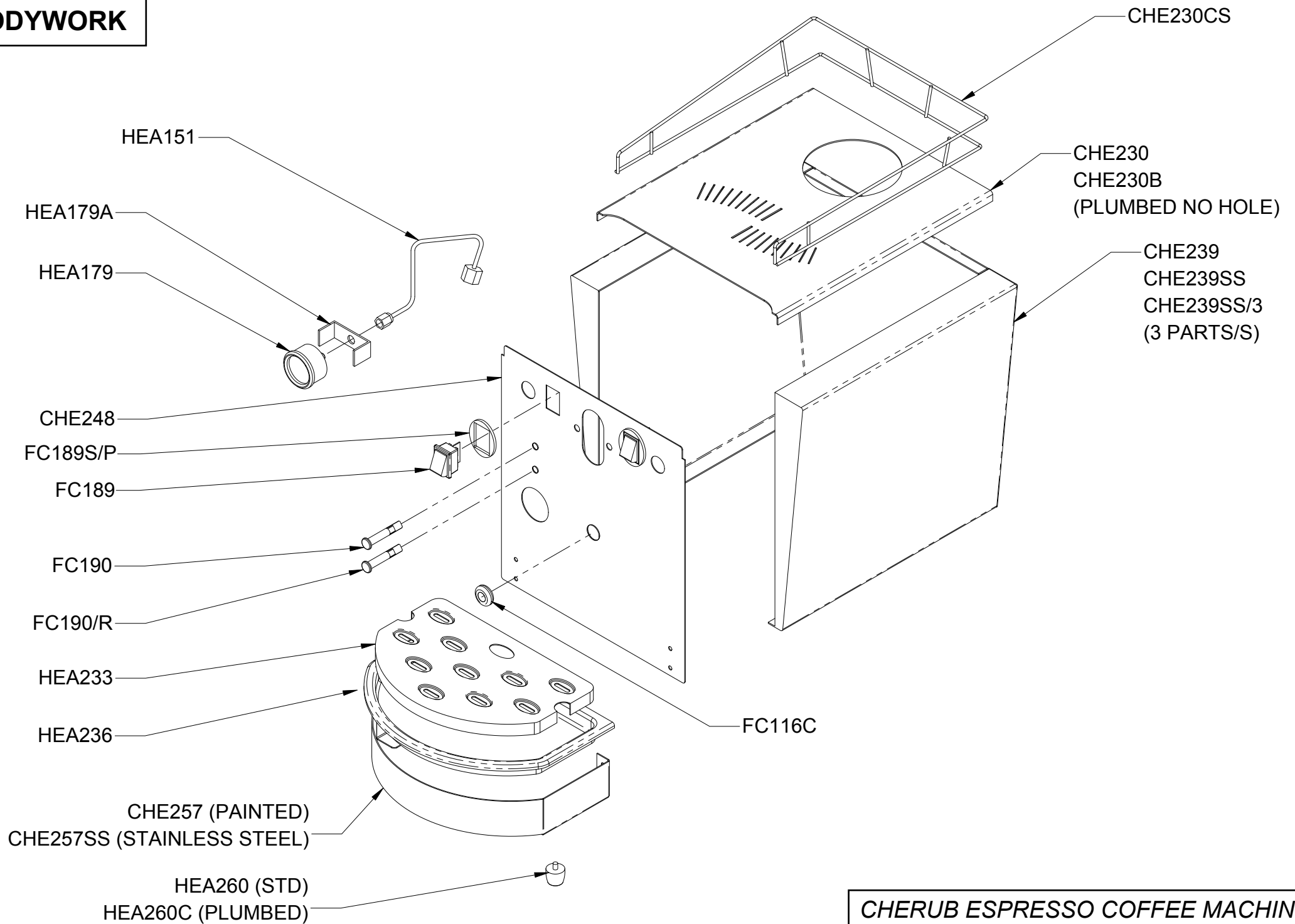
Fracino Ltd.
17-19 Birch Road East
Birmingham
B6 7DA

Tel: 0044 (0)121 328 5757
Fax: 0044 (0)121 327 3333
Email: sales@fracino.com

CONTENTS

1-2	BODYWORK
3-4	CHASSIS
5-6	BOILER
7-8	GROUP
9-10	MANIFOLD
11-12	STEAM & WATER VALVES

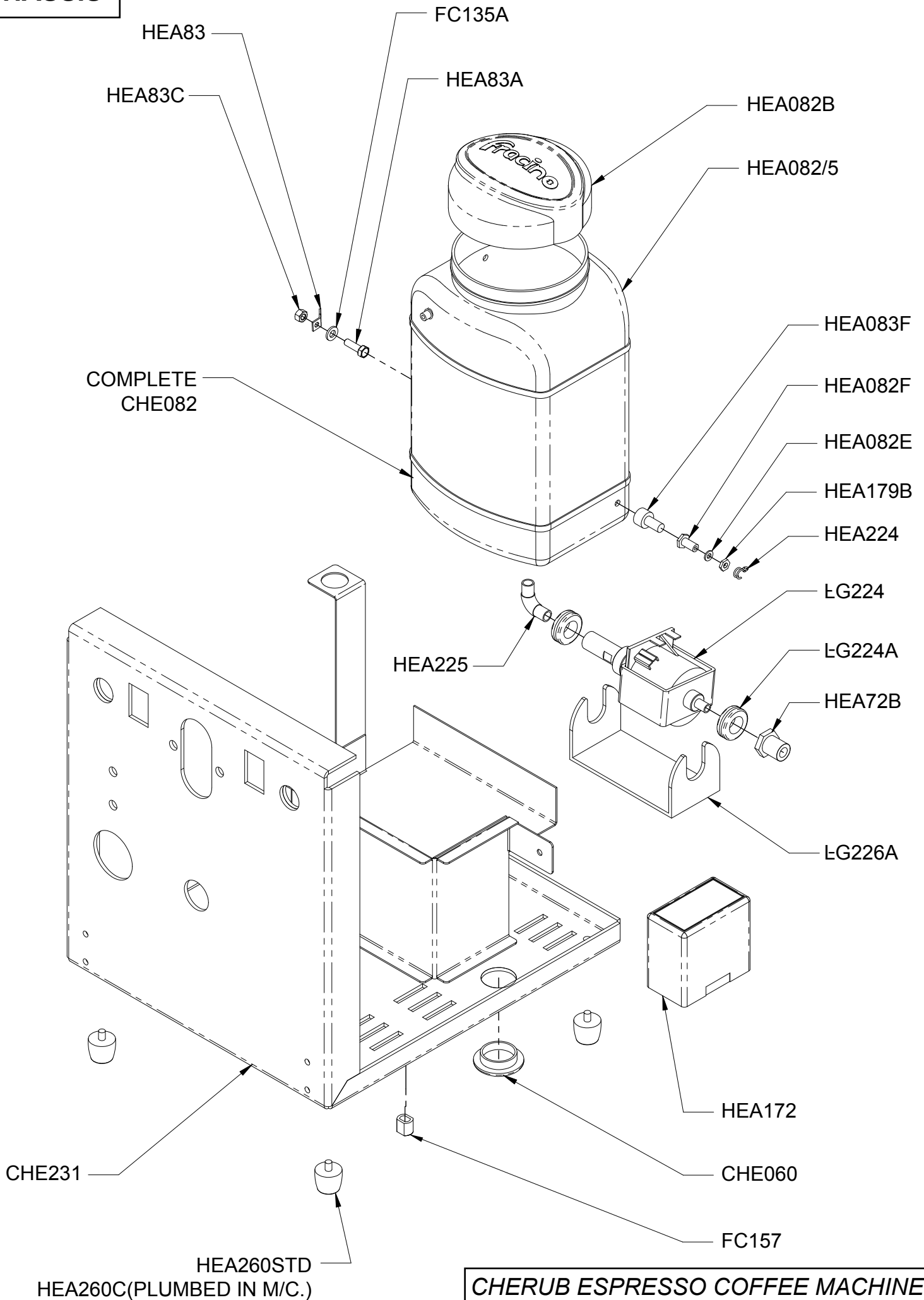
BODYWORK



BODYWORK

PART NO.	DESCRIPTION	QUANTITY
CHE230	Top Tray	1
CHE230B	Top Tray (plumbed, no hole)	
CHE230CS	Cup Guard	1
CHE239	Bodywork	1
CHE239SS	Bodywork (stainless steel)	
CHE239SS/3	Bodywork (3 part stainless steel)	
CHE248	Front Panel	1
CHE257	Drip Tray Support Band (painted)	1
CHE257SS	Drip Tray Support Band (stainless Steel)	
FC116C	Grommet	1
FC189	Switch	2
FC189S/P	Switch Surround	2
FC190	Neon Amber	1
FC190/R	Inner Drip Tray	1
HEA151	Pressure Gauge to Boiler Pipe	1
HEA179	Pressure Gauge	1
HEA179A	Pressure Gauge Bracket	1
HEA233	Neon Red	2
HEA236	Outer Drip Tray	1
HEA260	Foot (Std.)	6
HEA260C	Foot (Plumbed)	

CHASSIS



CHERUB ESPRESSO COFFEE MACHINE

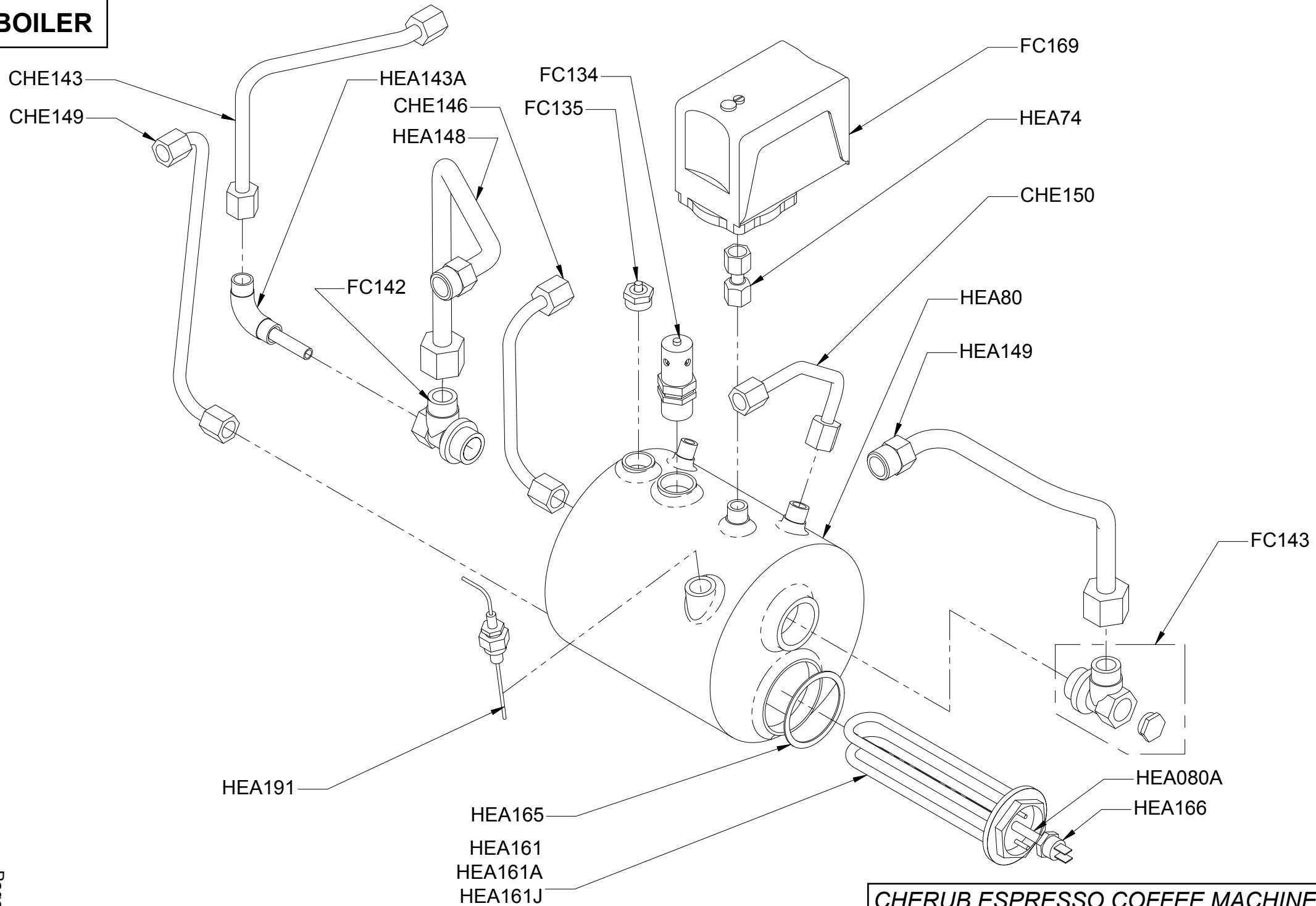
© FRACINO 2008

Page 3

CHASSIS

PART NO.	DESCRIPTION	QUANTITY
CHE060	Blank	1
CHE231	Chassis	1
CHE082	Complete Water Container Assembly	1
FC135A	Sealing Washer	2
FC157	Cable Gland 90°	1
HEA082/5	Water Container	1
HEA082A	Sealing Washer	2
HEA082B	Water Container Lid	1
HEA082F	Tube Connector Water Container	2
HEA083F	Water Container Filter	1
HEA72B	Pump Fitting plumbed m/c	1
HEA172	Electronic Water Controller	1
HEA179B	Lock Nut	2
HEA224	Hose Clip	2
HEA225	Elbow	1
HEA83	6.3 FASTON CONNECTOR	2
HEA260	Foot (Std.)	6
HEA260C	Foot (Plumbed in m/c.)	
HEA83A	M4 Bolt	2
HEA83C	M4 Locknut	2
LG224	Pump	1
LG224A	Pump Rubber Grommet	2
LG226A	Pump Mounting Bracket	1

BOILER



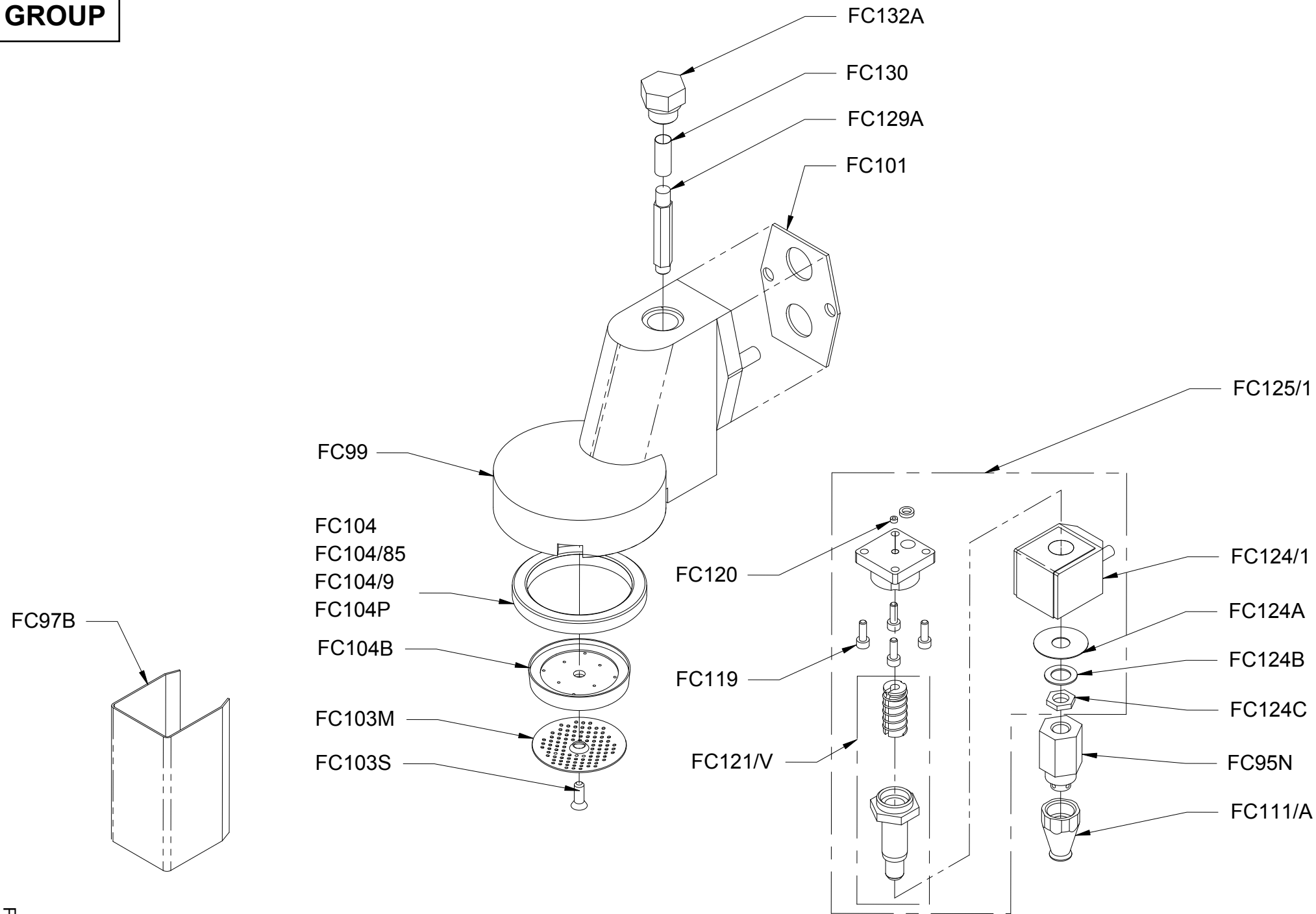
CHERUB ESPRESSO COFFEE MACHINE

© FRACINO 2008

BOILER

PART NO.	DESCRIPTION	QUANTITY
CHE143	Manifold to Heat Exchanger Pipe	1
CHE146	Solenoid to Boiler Pipe	1
CHE149	Water Valve to Boiler Pipe	1
CHE150	Steam Valve to Boiler Pipe	1
FC134	Safety Valve Sealed 1.6 – 1.8 bar	1
FC135	Air Release Valve	1
FC142	Heat Exchanger Elbow	1
FC143	Heat Exchanger Elbow	1
FC169	Pressure Switch	1
HEA080A	High Limit Stat Mounting Stud	1
HEA143A	Elbow	1
HEA148	Heat Exchanger to Group Pipe Left	1
HEA149	Heat Exchanger to Group Pipe Right	1
HEA161	Element 2.85KW 230V	1
HEA161A	Element 2.4 KW 240V	1
HEA161J	Element 1.4 KW 100V	1
HEA165	Element Gasket	1
HEA166	High Temp Limit Stat	1
HEA191	Probe	1
HEA74	¼ x ¼ Tube Stub Connector	1
HEA80	Boiler	1

GROUP



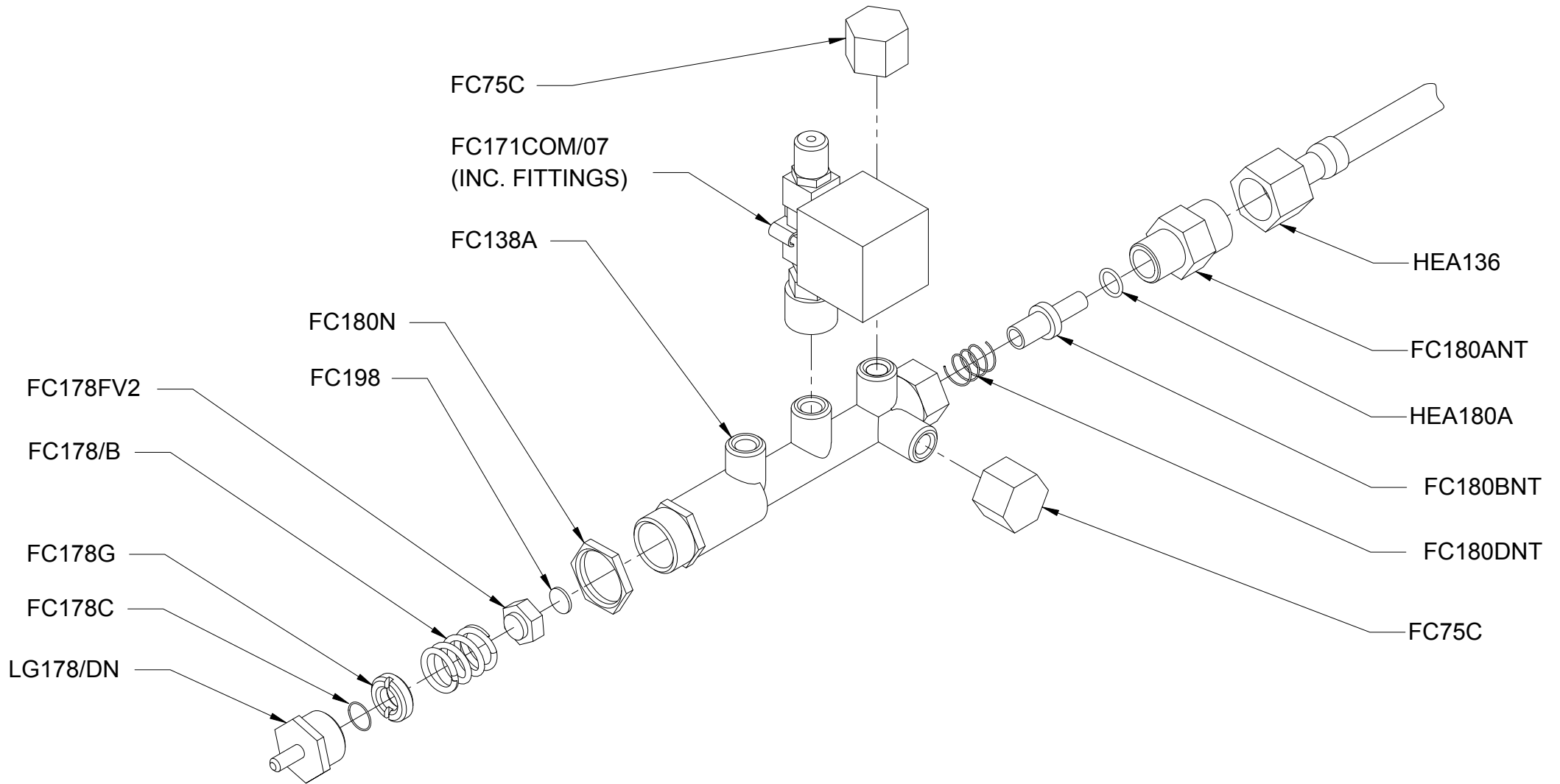
CHERUB ESPRESSO COFFEE MACHINE

© FRACINO 2008

GROUP

PART NO.	DESCRIPTION	QUANTITY
FC95N	Exhaust Fitting	1
FC97B	Group Cowl	1
FC99	Group Body	1
FC101	Group Gasket	1
FC103M	Shower Plate	1
FC103S	Shower Plate Screw	1
FC104	Filter Holder Washer (8.0mm tck)	1
FC104/85	Filter Holder Washer (8.5mm tck)	1
FC104/9	Filter Holder Washer (9.0mm tck)	1
FC104B	Filter Holder Washer Locking Plate	1
FC104P	Filter Holder Paper Packing	1
FC111A	Group Exhaust Nut	1
FC119	Solenoid Base Screws	4
FC120	Solenoid Base 'O' Ring	2
FC121/V	Solenoid Nucleus Kit (Viton)	1
FC124/1	Solenoid Coil (sealed)	1
FC124A	Coil Washer	1
FC124B	Coil Spring Washer	1
FC124C	Coil Lock Nut	1
FC125/1	Group Solenoid Valve complete with flying leads	1
FC129A	Jet	1
FC130	Filter	1
FC132A	Top Jet Filter Holder	1

MANIFOLD

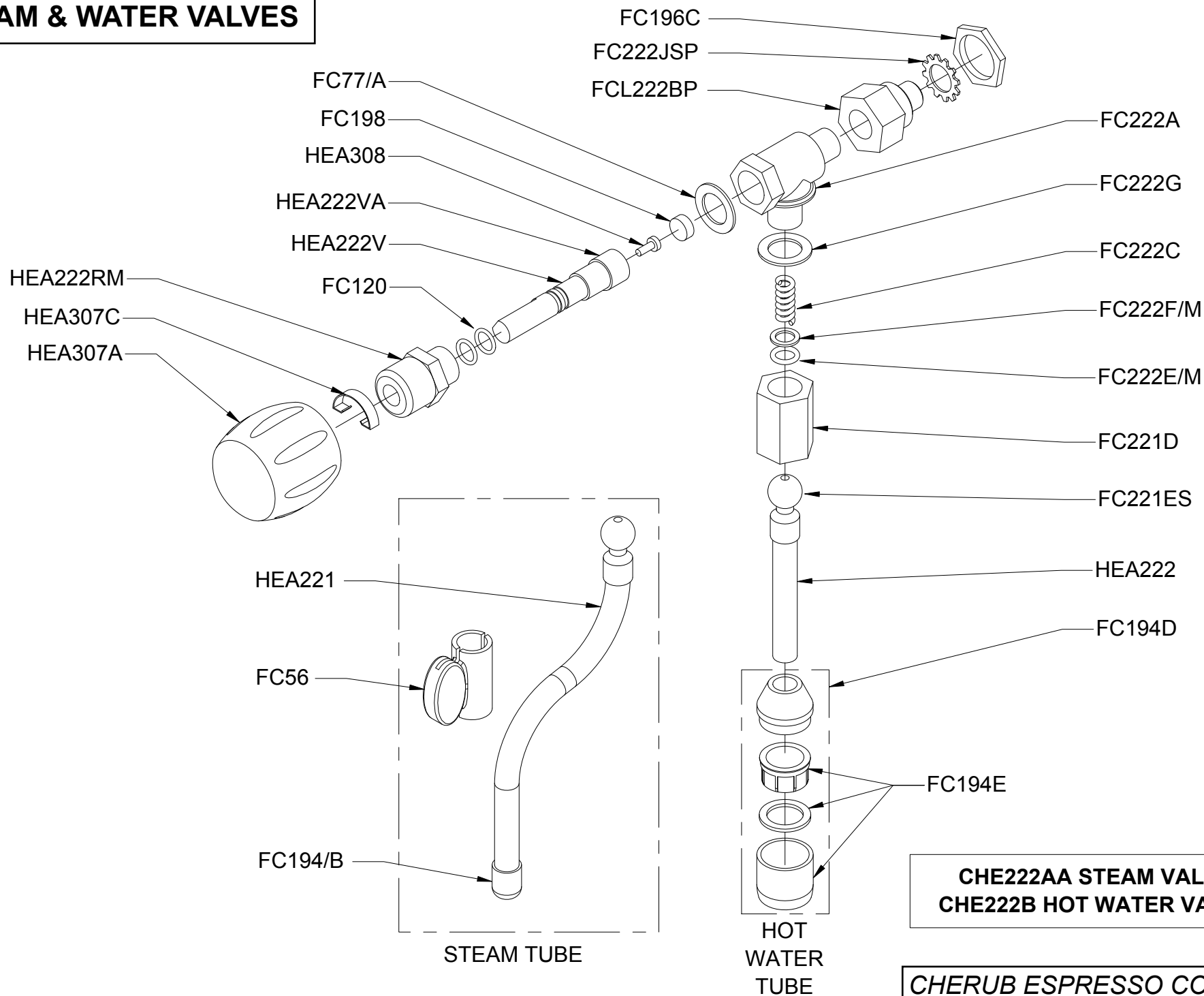


**COMPLETE
HEA138COM**

MANIFOLD

PART NO.	DESCRIPTION	QUANTITY
FC170	Manual Fill Valve	1
FC75C	Blank Nut	2
FC171COM/07	Inlet Solenoid Valve (inc. fittings)	1
FC178B	Spring (expansion valve)	1
FC178C	'O' Ring (expansion valve)	1
FC178G	Adjustment Screw	1
FC178FV2	Expansion Valve Jumper	1
FC180ANT	Non Return Valve Fitting	1
FC180N	M20 Locknut	1
FC198	Pad Washer	1
HEA136	Braded Inlet Hose $\frac{3}{8}$ Elbow $\frac{3}{4}$ Straight (2.5M)	1
HEA180A	O Ring	1
HEA180BNT	Non Return Valve Stem	1
HEA180DNT	Non Return Valve Spring	1
HEA138A	Manifold	1
HEA138COM	Manifold Assembly Complete	1
LG178DN	3/8 x 1/4 Special Fitting	1

STEAM & WATER VALVES



STEAM & WATER VALVES

PART NO.	DESCRIPTION	QUANTITY
CHE222AA	Steam Valve Assembly Complete	1
CHE222B	Hot Water Valve Assembly Complete	1
FC56	Steam Tube Clip	1
FC77/A	3/8" BSP Aluminium Washer	2
FC120	'O' Rings Valve Stems	4
FC194/B	Steam Nozzle	1
FC194D	Non-splash Hot Water Nozzle Complete	1
FC194E	Hot Water Mesh Assembly Complete	1
FC196C	Locknut	2
FC198	Pad Washer	2
FC221D	Steam/Water Tube Retaining nut	2
FC221ES	Chrome Plated Ball	2
FC222A	Valve Body	2
FC222C	Spring (steam pipe)	2
FC222E/M	'O' Ring	2
FC222F/M	Brass Spacer Spherical 'end mod'	2
FC222G	Seal	2
FC222JSP	Star Washer	1
FCL222BP	1/4" - 1/2" Valve Conversion Fitting	2
HEA221	Steam Pipe St. steel	1
HEA222	Water Pipe St. steel	1
HEA222RM	Valve Head and Stem Guide	2
HEA222V	Valve Stem	2
HEA222VA	Valve Jumper	2
HEA307A	Hand Wheel curved Sided (black)	2
HEA307C	Spring Clip D Shape	2
HEA308	M4 Screw	1