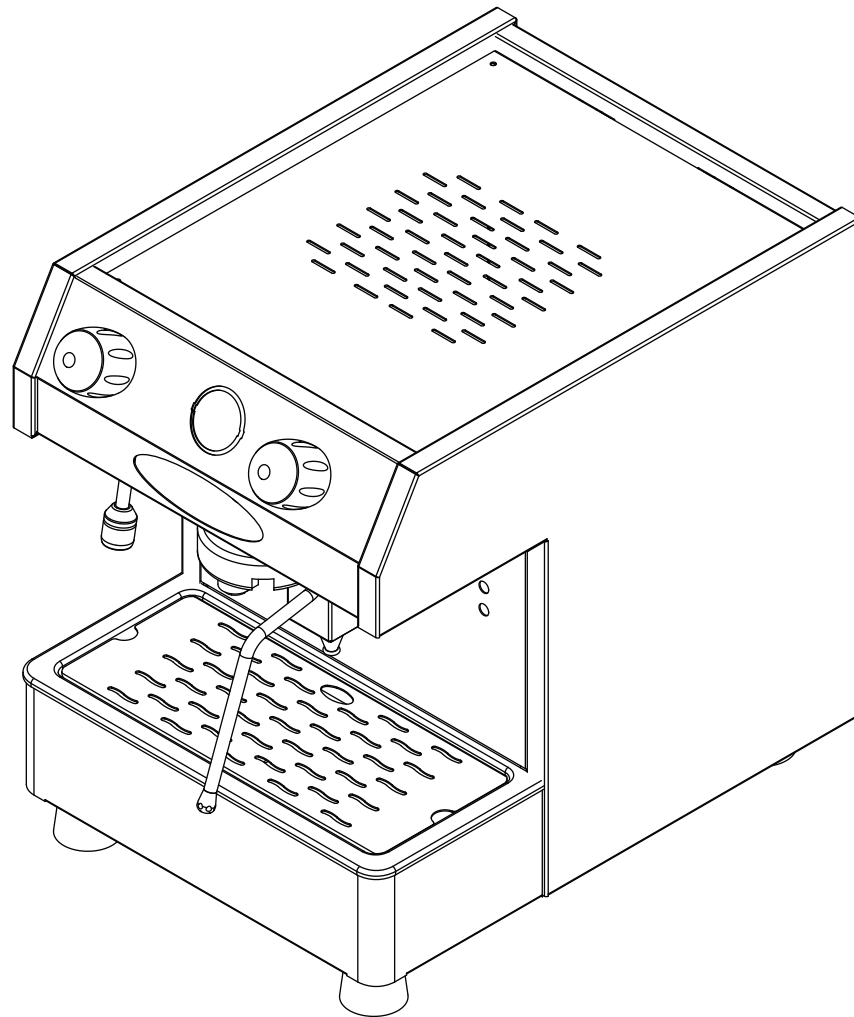


LITTLE GEM AND BAMBINO 1 GROUP

LG1, LG1E, BAM1, BAM1E

JUNE 2012 ONWARDS

PARTS BOOK



FRACINO
18-22 BIRCH ROAD EAST
BIRMINGHAM
UK

www.fracino.com
sales@fracino.com
tel: 0121 328 5757
fax: 0121 327 3333



LITTLE GEM AND BAMBINO 1 GROUP

LG1, LG1E, BAM1, BAM1E

JUNE 2012 ONWARDS

Contents

Page 1: Bodywork
Page 2: Chassis
Page 3: Boiler
Page 4: Manifold
Page 5: Group
Page 6: Sight Glass
Page 7: Steam and Hot Water Valves
Page 8: Filter Holders
Page 9: Wiring Diagram
Page 10: Parts List

WARNINGS:

The following precautions should be observed before changing/removing components

1. Ensure appliance is fully isolated from the mains electrical supply before removing any body panels or components
2. Ensure water supply has been turned off before removing any components
3. Ensure the appliance has been turned off and allowed to cool for at least 1hour before removing body panels/components.
4. Ensure the appliance has been fully de-pressurised before removing body panels/components, this can be done by opening the steam valve.
5. Only use Fracino approved parts - failure to do so will void warranty
6. Only trained personel should attempt to repair/maintain the appliance
7. Disconnecting, by-passing, tampering with or otherwise interfering with safety valves, high limit thermostats and pressure switches or other safety devices may cause serious injury and/or damage to the appliance
8. It is your responsibility to have a boiler test certificate carried out annually.
This is a requirement of the HSE under the PSSR Act of 2000. Contact Fracino or authorised service agent for further information or to have your boiler tested.

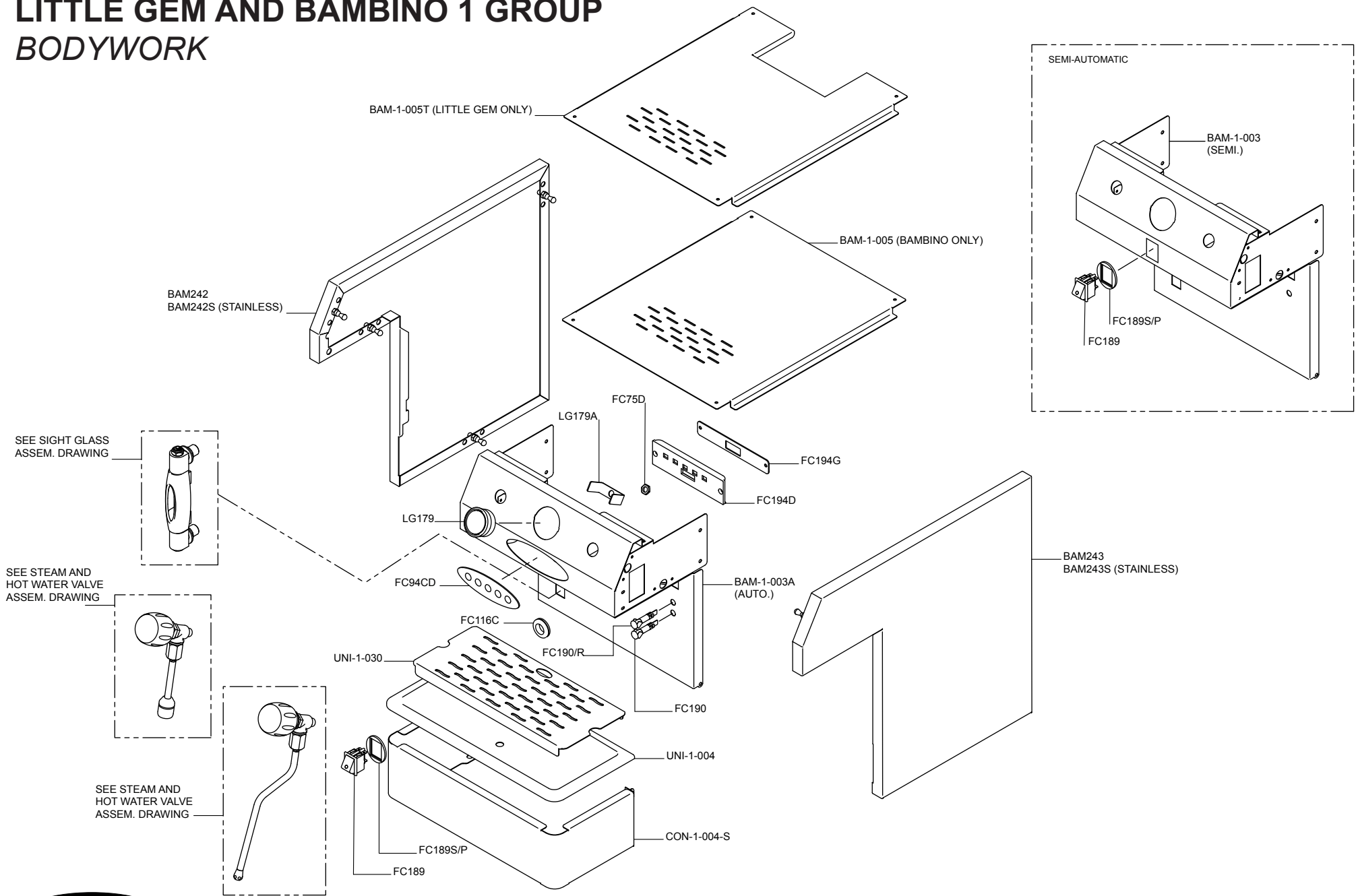
NOTES:

The Fracino policy is one of continuous improvement. We retain the right to change specification without prior notice.

The drawings in this parts book are for illustration only, appearance of parts may vary.

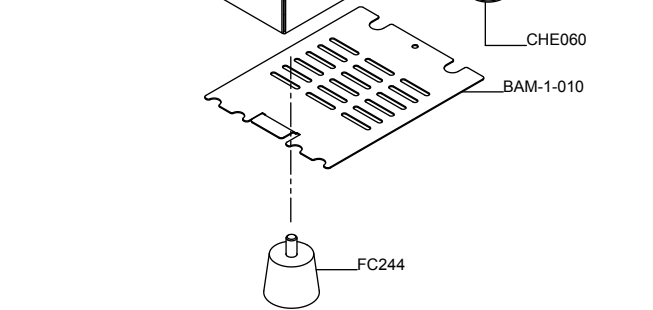
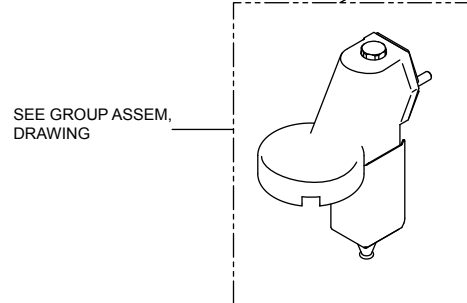
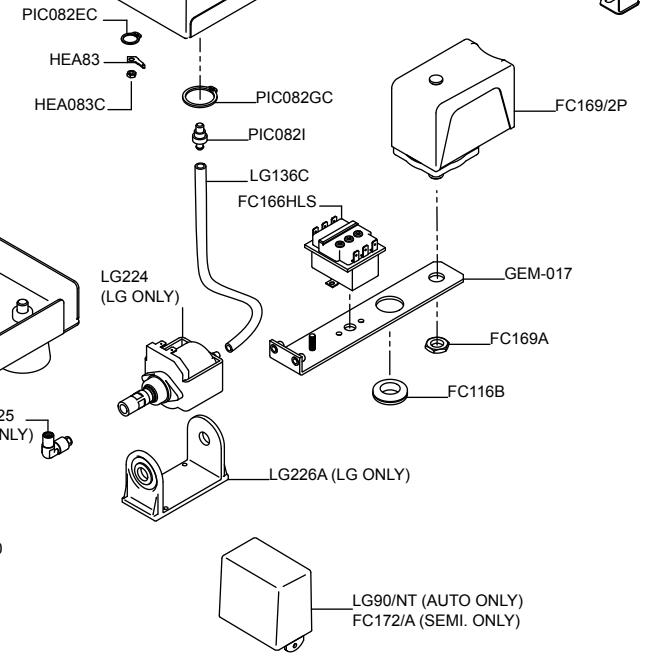
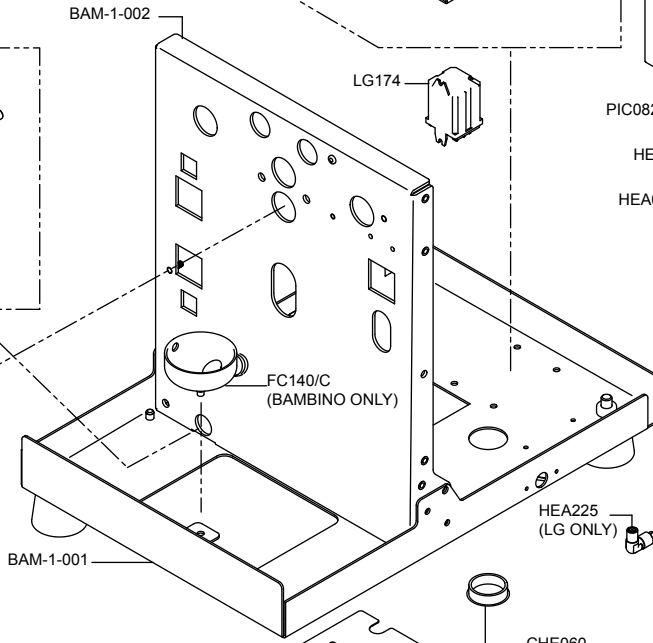
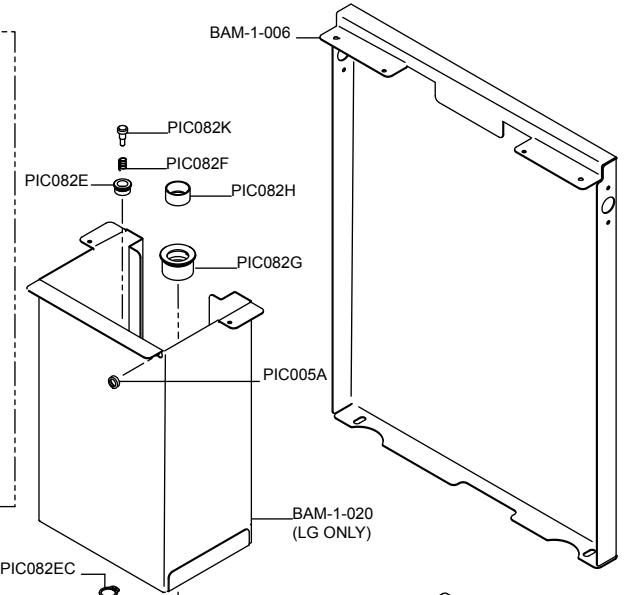
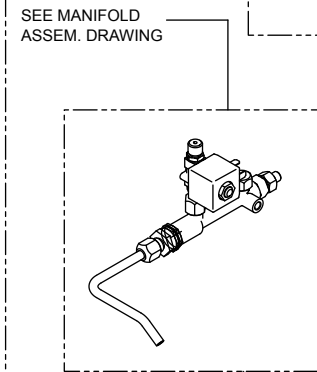
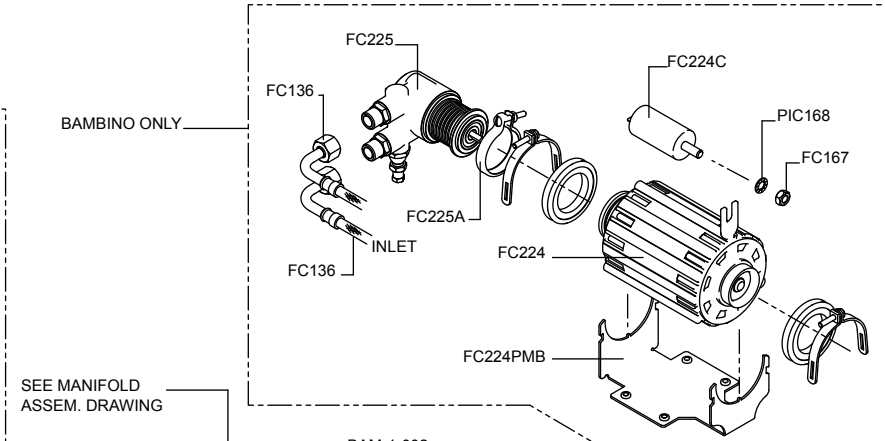
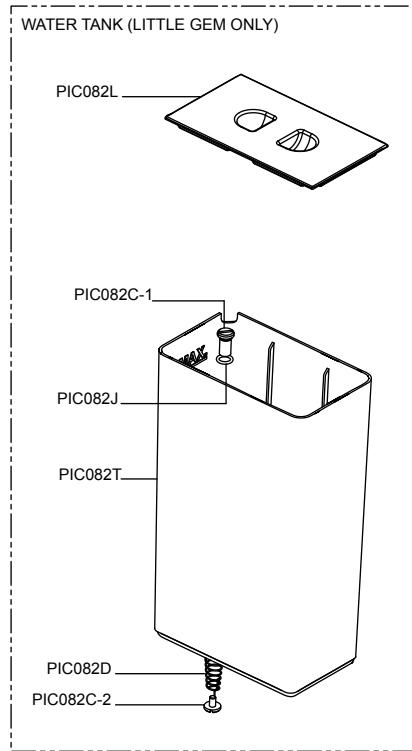
LITTLE GEM AND BAMBINO 1 GROUP

BODYWORK

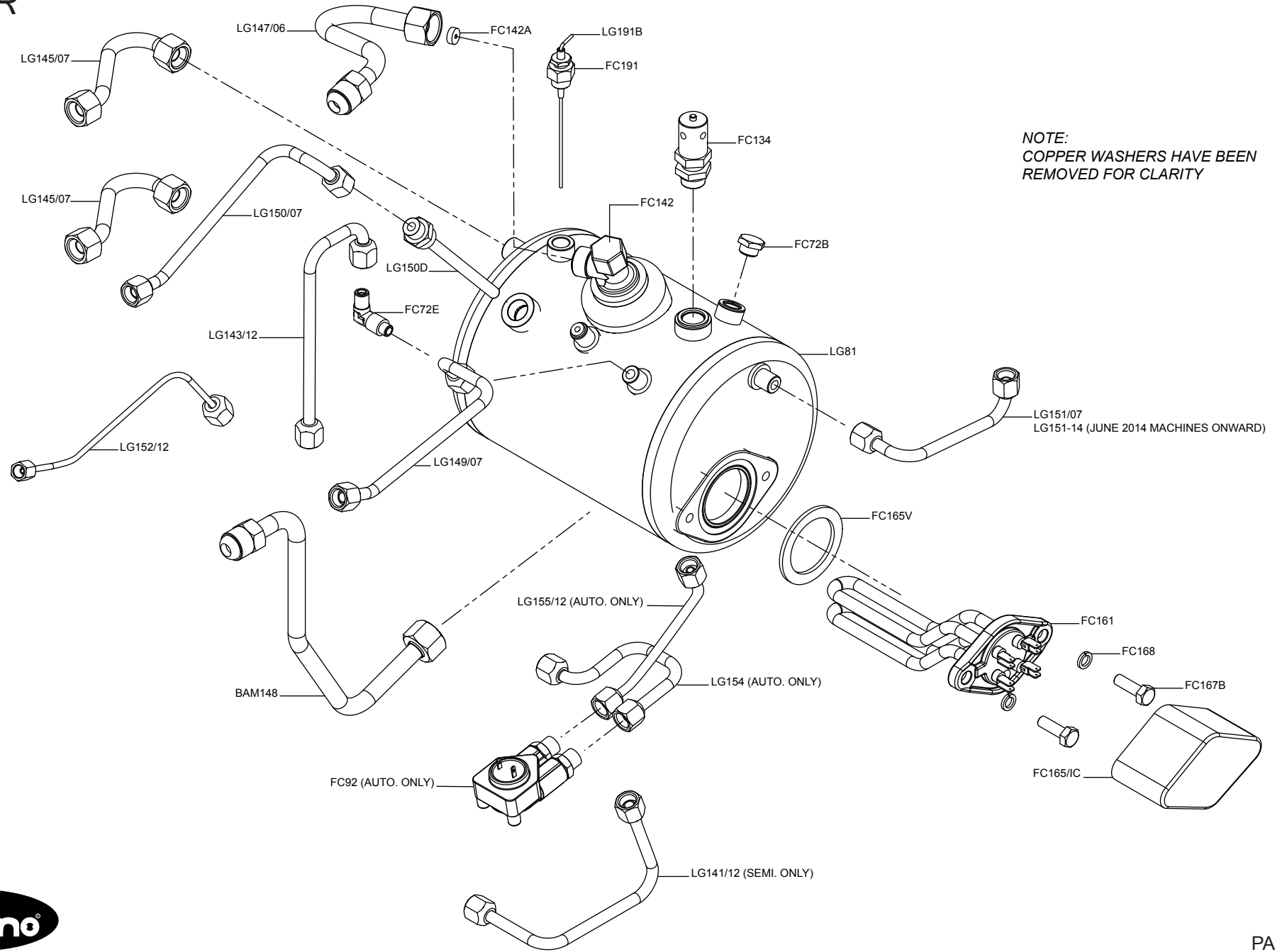


LITTLE GEM AND BAMBINO 1 GROUP

CHASSIS



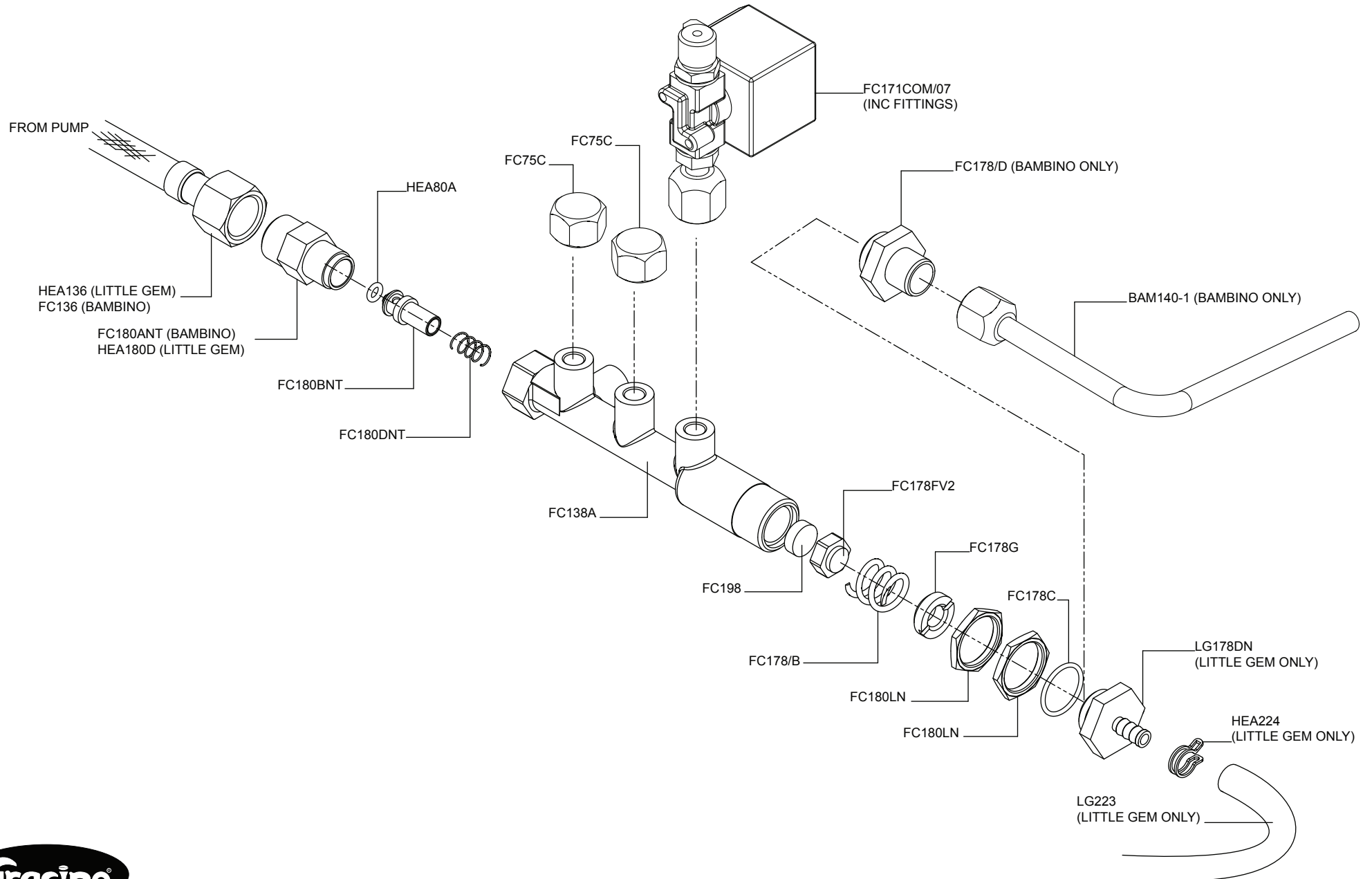
LITTLE GEM AND BAMBINO 1 GROUP BOILER



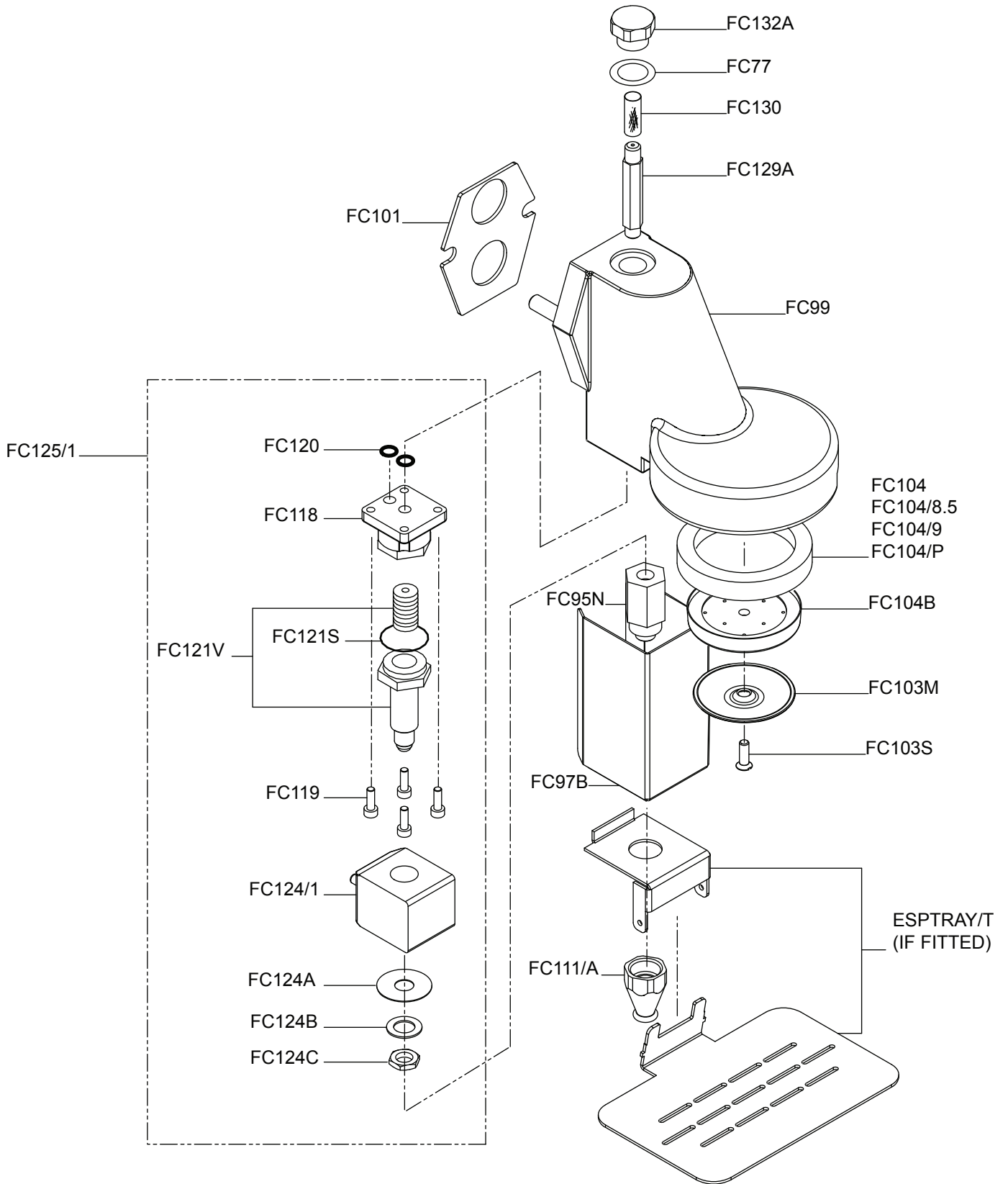
NOTE:
COPPER WASHERS HAVE BEEN
REMOVED FOR CLARITY



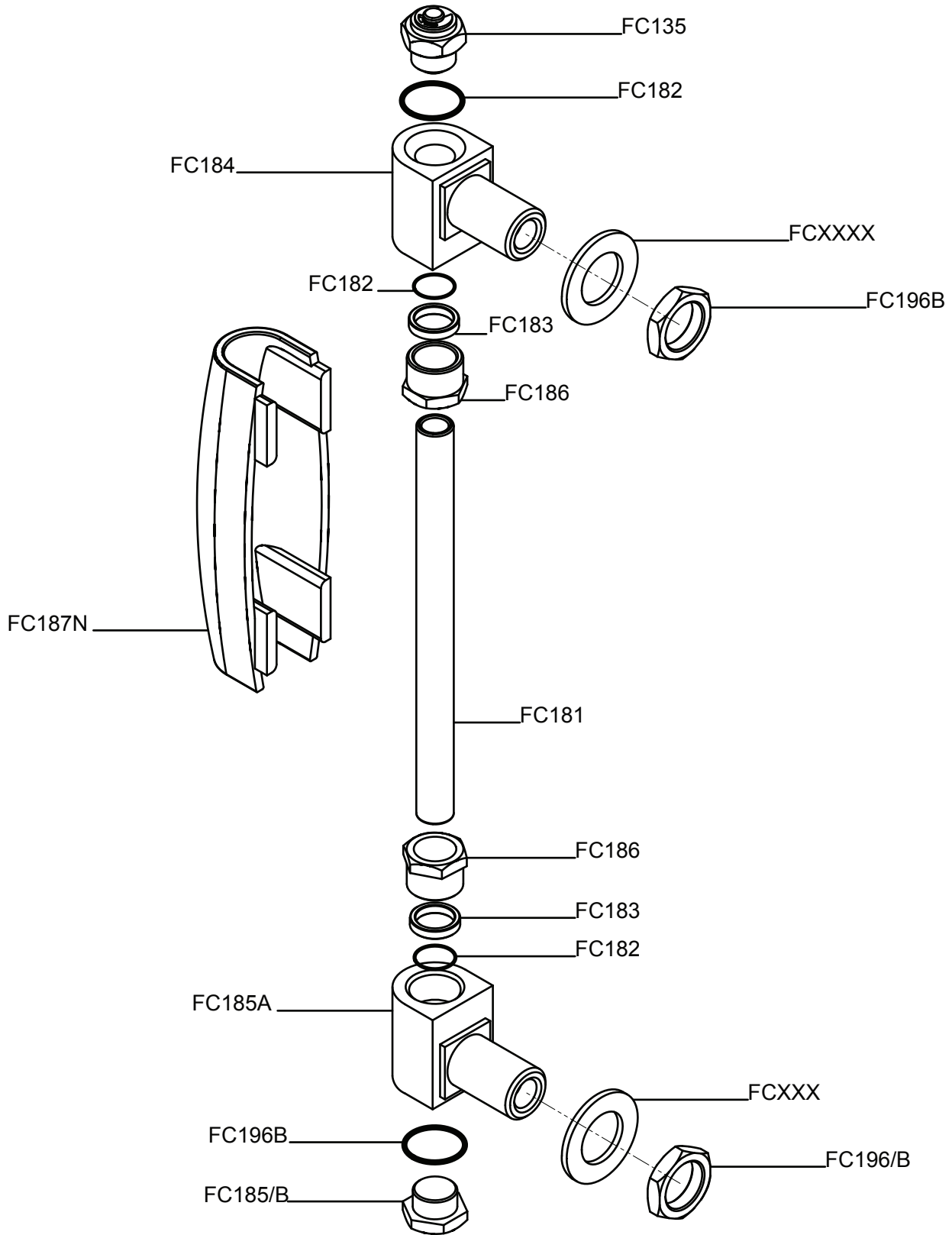
LITTLE GEM AND BAMBINO 1 GROUP MANIFOLD



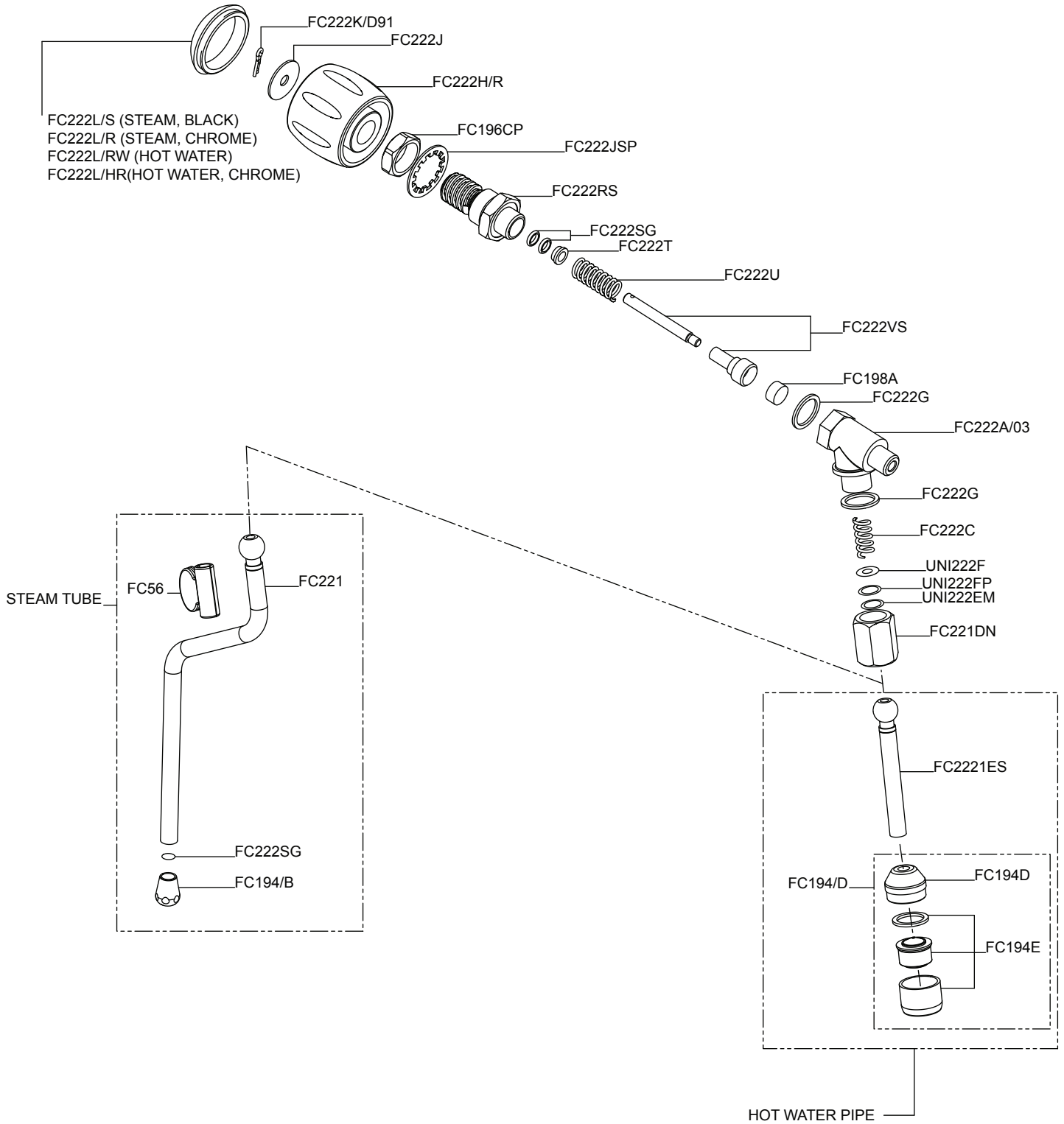
LITTLE GEM AND BAMBINO 1 GROUP GROUP



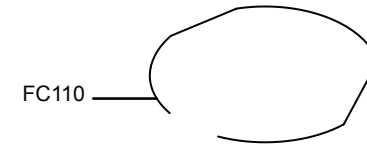
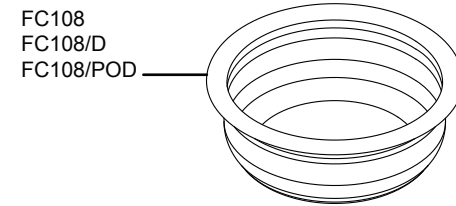
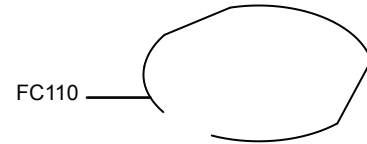
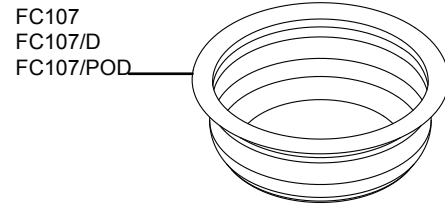
LITTLE GEM AND BAMBINO 1 GROUP SIGHT GLASS



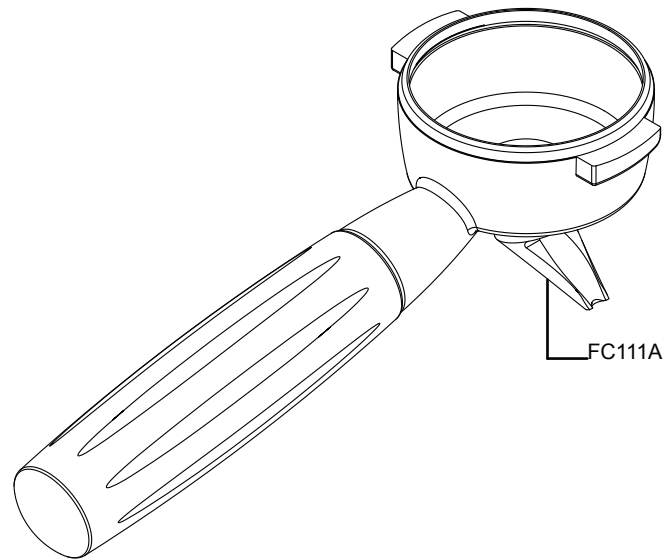
LITTLE GEM AND BAMBINO 1GROUP STEAM AND HOT WATER VALVES



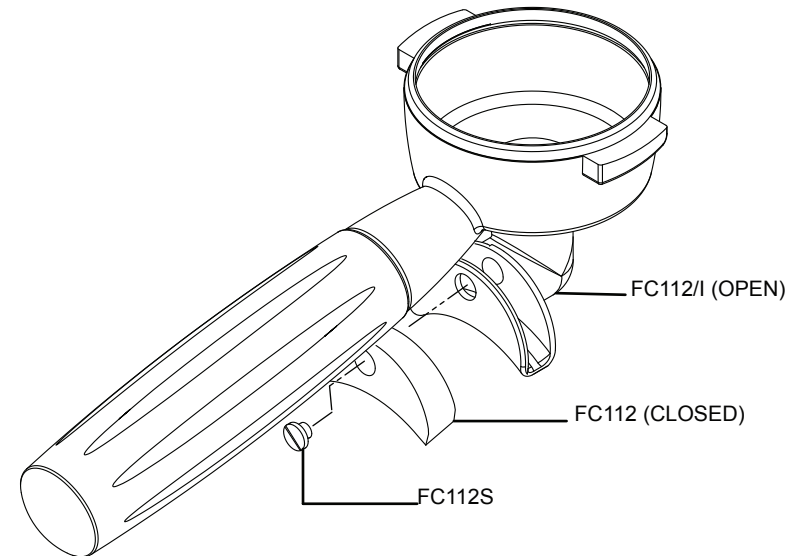
LITTLE GEM AND BAMBINO 1 GROUP FILTER HOLDERS



FC105: SINGLE FILTER HOLDER

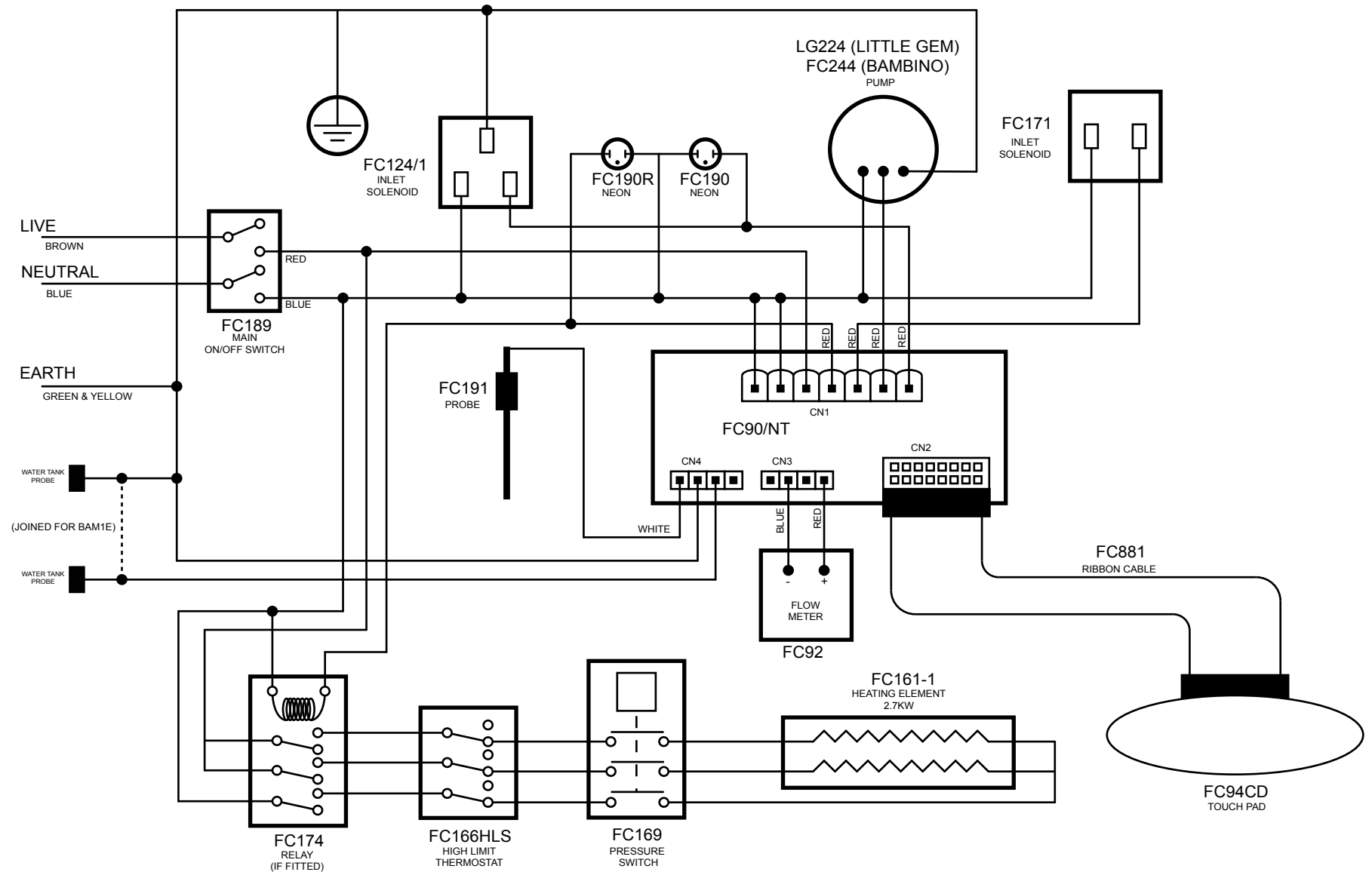


FC105A: DOUBLE FILTER HOLDER



LITTLE GEM AUTO AND BAMBINO 1 GROUP AUTO

WIRING DIAGRAM



LITTLE GEM AND BAMBINO 1 GROUP

LG1, LG1E, BAM1, BAM1E

PARTS LIST – June 2012 Onward

PART NO	DESCRIPTION
BODYWORK PG1	
BAM-1-003A	FRONT PANEL (AUTOMATIC)
BAM-1-003	FRONT PANEL (SEMI.)
BAM-1-005	TOP PANEL BAMBINO
BAM-1-005T	TOP PANEL LITTLE GEM
CON-1-004-S	STANDARD WRAP ROUND (1 GROUP)
BAM242	BLACK SIDE PANEL LEFT HAND
BAM242S	STAINLESS STEEL SIDE PANEL LEFT HAND
BAM243	BLACK SIDE PANEL RIGHT HAND
BAM243S	STAINLESS STEEL SIDE PANEL RIGHT HAND
FC116C	GROMMET FRONT PANEL 25MM DIA
FC189	MAINS ON/OFF AND GROUP SWITCH
FC189S/P	SWITCH SURROUND
FC190	WATER FILLING NEON (AMBER)
FC190/R	WATER FILLING NEON (RED)
FC94CD	OVAL TOUCH PAD PCB
FC94D	TOUCH PAD MOUNTING PLATE
FC94G	S/STEEL BACK PLATE
FC75D	1/4" LOCK NUT
LG179	PRESSURE GAUGE
LG179A	PRESSURE GAUGE BRACKET FOR 2010 ON 50mm GAUGES
UNI-1-004	DRIP TRAY ONE GROUP
UNI-1-003	DRIP TRAY GRID ONE GROUP
CHASSIS PG2	
BAM-1-001	BAMBINO 1GRP AND LITTLE GEM CHASSIS BASE
BAM-1-002	BAMBINO 1GRP AND LITTLE GEM CHASSIS FRONT
BAM-1-006	BACK PANEL BAMBINO 1 GRP AND LITTLE GEM
BAM-1-010	BAMBINO 1 GRP AND LITTLE GEM BASE PLATE
BAM-1-020	WATER TANK HOUSING
CHE060	35MM BLANK PLUG FOR CHASSIS
FC116B	GROMMET 3MM PANEL
FC166HLS	HIGH LIMIT MANUAL RESET THERMOSTAT
FC169/2P	PRESSURE SWITCH 2 POLE 20AMP
FC169A	PRESSURE SWITCH LOCK NUT
FC172/A	WATER LEVEL CONTROL (SEMI)
FC224	FEET
FC224C	CAPACITOR
FC224PMB	PUMP MOTOR BRACKET
FC224R	PUMP MOTOR
FC225	PUMP
FC225A	PUMP CLIP
GEM-017	PRESSURE SWITCH BRACKET
HEA083	6.3mm MALE FASTON
HEA083C	M4 NYLOC NUT
HEA225	1/8" x 1/8" SPECIAL ELBOW

LG136C	SILICON FEED TUBE TANK/PUMP
LG174	RELAY
LG224	VIBRATING PUMP
LG226A	PUMP SUPPORT BRACKET RUBBER
LG90/NT	AUTO ELECTRONIC CONTROL 1GRP
PIC005A	EXPANSION TUBE GROMMET
PIC082C-1	VALVE PISTON FEMALE
PIC082C-2	VALVE PISTON MALE
PIC082D	WATER TANK S/S CONICAL SPRING
PIC082E	WATER TANK LEVEL PROBE HOUSING
PIC082EC	CIRCLIP FOR LEVEL PROBE
PIC082F	WATER TANK PROBE S/S SPRING
PIC082G	WATER TANK VALVE
PIC082GC	WATER CONTAINER VALVE CIRCLIP
PIC082H	WATER TANK VALVE SEAL
PIC082I	WATER CONTAINER CONNECTOR SPIGOT
PIC082J	WATER TANK PISTON O-RING
PIC082K	SPRING LOADED PROBES
PIC082L	WATER TANK LID
PIC082T	WATER TANK
BOILER PG3	
BAM148	BOTTOM HEAT EX TO GROUP PIPE
FC134	SAFETY VALVE SEALED
FC142	HEAT EX. TOP ELBOW 'B' TYPE
FC142A	RESTRICTOR 82-84 DEG C
FC161	ELEMENT 2.7KW 230V
FC165/IC	ELEMENT INSULATED COVER
FC165V	ELEMENT GASKET
FC167B	M8 ELEMENT HEX BOLT
FC168	ELEMENT SPRING WASHER
FC191	PROBE HOUSING
FC72B	1/4" BSP MALE BLANK NUT
FC72E	1/4" X 1/4" BSP ELBOW
FC92	FLOWMETER
LG141/12	MANIFOLD TO BOTTOM HEAT EX. (SEMI) JUNE 2012 ONWARD
LG143/12	INLET SOLENOID TO BOILER
LG145/07	SIGHT GLASS PIPE
LG147/06	TOP GROUP TO HEAT EX. PIPE
LG149/07	BOILER TO STEAM VALVE PIPE 2007 ONWARD
LG150/07	BOILER TO HOT WATER VALVE
LG150D	HOTWATER DIP TUBE
LG151/07	BOILER TO PRESSURE SWITCH PIPE 09/07 ONWARD
LG152/12	BOILER TO PRESSURE GAUGE PIPE JUNE 2012 ONWARDS
LG154	MANIFOLD TO FLOW METER AUTO 2006 ONWARD
LG155/12	FLOW METER TO HEAT EX. PIPE JUNE 2012 ONWARD
LG191B	WATER LEVEL PROBE BOILER
LG81	BOILER 4 LITRE LITTLE GEM
MANIFOLD PG4	
BAM140-1	EXPANSION TO WASTE CUP
FC136	FLEXI HOSE 3/8" ELBOW X 3/8" STRAIGHT 2.5M LONG
FC138A	MANIFOLD BODY FORGED EXP/NRV 2004 ONWARD
FC171COM/07	INLET SOLENOID VALVE INC FITTINGS 2004 ONWARD

FC178/B	SPRING
FC178/D	3/8" X 1/4" SPECIAL FITTING
FC178C	EXPANSION VALVE "O" RING
FC178FV2	EXPANSION VALVE JUMPER FORGED MANIFOLD
FC178G	ADJUSTING SCREW FOR EXPANSION VALVE
FC180ANT	NON RETURN VALVE BODY
FC180BNT	NON RETURN VALVE JUMPER FORGED MANIFOLD 04 ONWARD
FC180DNT	NON RETURN VALVE SPRING
FC180LN	MANIFOLD LOCK NUT
FC198	PAD WASHER
FC75C	1/4" BSP CAP NUT
HEA136	1/8" X 1/8" FLEXI HOSE PUMP TO MANIFOLD
HEA180A	"O" RING NON RETURN VALVE JUMPER
HEA180D	NON RETURN VALVE HEAD
HEA224	SPRING CLIP FOR SILICON TUBE
LG178DN	EXPANSION VALVE FITTING HOSE BARB FORGED MANIFOLD
LG223	SILICON EXHAUST TUBE
GROUP PG5	
ESPTRAY/T	ESPRESSO TRAY
FC101	GROUP GASKET
FC103	SHOWER PLATE
FC103M	SHOWER PLATE (SCREW VERSION)
FC103S	SHOWER PLATE SCREW
FC104	FILTER HOLDER WASHER 8MM
FC104/8.5	FILTER HOLDER WASHER 8.5MM
FC104/9	FILTER HOLDER WASHER 9MM
FC104/P	FILTER HOLDER WASHER PACKING
FC104B	FILTER HOLDER WASHER LOCKING PLATE
FC111/A	SINGLE BEAK STRAIGHT NOZZLE
FC118	SOLENOID BASE
FC119	SOLENOID BASE SCREW
FC120	SOLENOID BASE "O" RINGS
FC121S	"O" RING SOLENOID OUTER CASE
FC121V	SOLENOID NUCLEUS VITON PLUNGER KIT
FC124/1	COIL NEW TYPE WITH WIRES
FC124A	COIL RETAINING FLAT WASHER
FC124B	COIL RETAINING SPRING WASHER
FC124C	COIL RETAINING LOCK NUT
FC125/1	GROUP SOLENOID NEW STYLE WITH WIRES
FC129A	GROUP JET
FC130	GROUP JET FILTER
FC132A	TOP JET HOLDER
FC77	COPPER WASHER 3/8" MALE
FC95N	EXHAUST FITTING
FC97B	GROUP COWL
FC99	GROUP BODY
SIGHT GLASS PG6	
FC135	AIR RELEASE VALVE
FC181	SIGHT GLASS
FC182	SIGHT GLASS "O" RING
FC182	SIGHT GLASS "O" RING
FC183	SIGHT GLASS BRASS RING
FC184	SIGHT GLASS TOP HOLDER
FC185	SIGHT GLASS BOTTOM HOLDER

FC185/B	SIGHT GLASS DRAIN PLUG (CHROME) 1/4"
FC186	SIGHT GLASS GLAND NUT CHROME
FC187N	SIGHT GLASS COVER 04/05 ONWARD
FC196/B	LOCK NUT 3/8" SIGHT GLASS
FC196C	
STEAM AND HOT WATER VALVES PG7	
FC194/B	STEAM JET NOZZLE STANDARD
FC194/D	COMPLETE HOT WATER NOZZLE ASSEMBLY
FC194D	NON SPLASH HOT WATER NOZZLE
FC194E	ANTI-SPLASH HOT WATER MESH ASSEM.
FC196CP	1/2" CHROME LOCKNUT
FC198A	PAD WASHER
FC221	STEAM PIPE
FC221A	HOT WATER TUBE S/STEEL
FC221DN	STEAM/WATER TUBE NUT
FC222A/03	STEAM/WATER VALVE BODY
FC222C	SPRING (STEAM TUBE)
FC222G	COPPER VLAVE SEAL
FC222H/R	HAND WHEEL
FC222J	PENNY WASHER VALVE HANDLE
FC222JSP	EXTERNAL SHAKE PROOF WASHER
FC222K/D91	"R" HOLDING CLIP
FC222L/HR	CAP HOT WATER CHROME
FC222L/R	CAP STEAM CHROME
FC222L/RS	CAP STEAM BLACK
FC222L/RW	CAP HOT WATER BLACK
FC222RS	VALVE HEAD 09/03 ONWARD
FC222SG	STEM "O" RING
FC222T	VALVE COLLAR INSERT
FC222U	SPRING (VALVE STEM)
FC222VS	VALVE STEM
FC56	SAFETY CLIP HANDLE STEAM PIPE
UNI222EM	SPHERICAL SEAL FOR TUBE NUT
UNI222F	WASHER FOR STEAM TUBE SWIVEL
UNI222FP	SPHERICAL SEAL FOR TOP BALL
FILTER HOLDERS PG8	
FC107	FILTER SINGLE 7GRAM
FC107/D	FILTER SINGLE DEEP
FC107/POD	SINGLE POD FILTER
FC110	FILTER SPRING
FC105	FILTER HOLDER COMPLETE (SINGLE)
FC111A	SINGLE BEAK CURVED 2006 ONWARD
FC108	FILTER DOUBLE 12GRAM
FC108/D	FILTER DOUBLE DEEP 14GRAM
FC108/POD	DOUBLE POD FILTER SHALLOW 14GRAM
FC105A	FILTER HOLDER COMPLETE (DOUBLE)
FC112/I	DOUBLE BEAK OPEN
FC112	DOUBLE BEAK CLOSED
FC112S	SPECIAL SCREW FOR S/STEEL COVER ON DOUBLE BEAK

<i>MISC</i>	
FC158R	POWER LEAD WITH MOULDED UK 13AMP PLUG
FC157/2.5	CABLE RESTRAINING BUSH
LG160/08	WIRING HARNESS L-GEM SEMI. AUTO
LG160	WIRING HARNESS SEMI