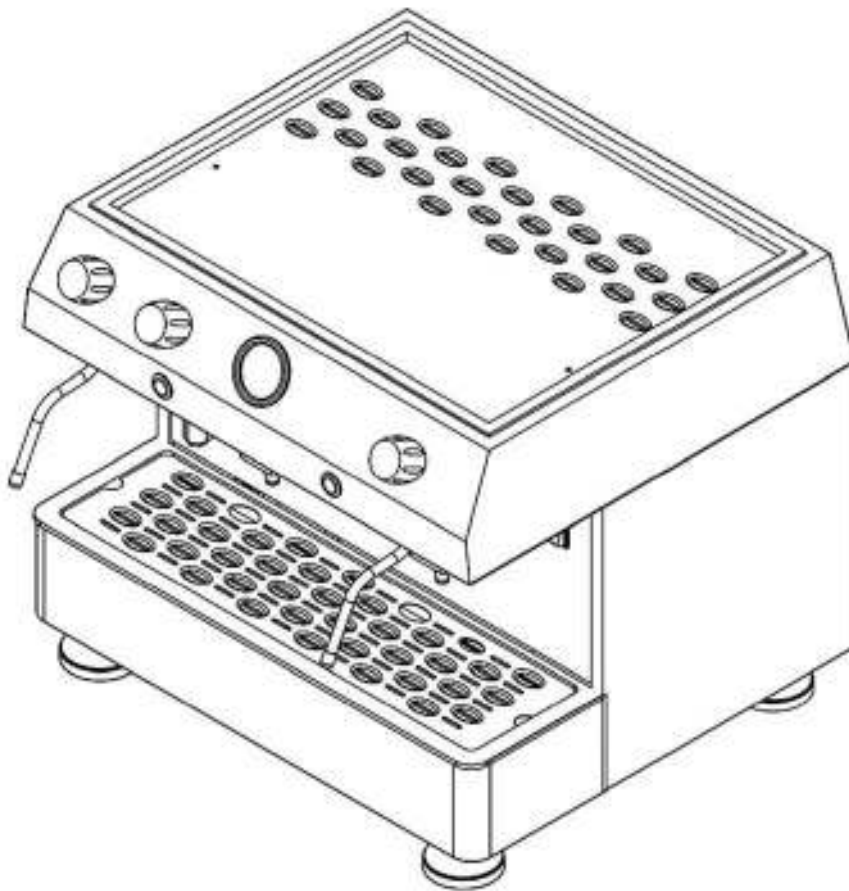


CLASSIC & CONTEMPO ESPRESSO COFFEE MACHINE 1,2 AND 3 GROUP

PARTS LIST



FRACINO
17-19 BIRCH ROAD EAST
WITTON
BIRMINGHAM
B6 7DA

TEL: 0121 328 5757
FAX: 0121 327 3333
EMAIL: sales@fracino.com

Contents

Page

3-8	Parts List
9	Bodywork
10	Chassis
11	Boiler
12	Group
13	Filter Holder
14	Manifold
15	Sight Glass
16	Steam and Hot Water Valves
17	Steam Valve (2007-on)
18	Circuit Diagram Contempo/Classic/Gem Auto. One Group
19	Circuit Diagram Contempo/Classic Auto. Two Group
20	Circuit Diagram Contempo/Classic/Romano Auto. Three Group

Part No.	Description	Quantity
	Body Work	
CON-1-002S CON-2-002S CON-3-002S	Contempo Top Assembly Semi	1
CLA-1-002S CLA-2-002S CLA-3-002S	Classic Top Assembly Semi	1
CON-1-002A CON-2-002A CON-3-002A	Contempo Top Assembly Automatic	1
CLA-1-002A CLA-2-002A CLA-3-002A	Classic Top Assembly Automatic	1
CON-1-001 CON-2-001 CON-3-001	Contempo Cup Tray	1
CLA-1-001 CLA-2-001 CLA-3-001	Classic Cup Tray	1
UNI-002-L	Left End Panel (St. Steel)	1
UNI-002-R	Right End Panel (St. Steel)	1
UNI-1-001S UNI-2-001S UNI-3-001S	Front Panel (groups)	1
UNI-1-001R UNI-2-001R UNI-3-001R	Front Panel Raised GRP	1
UNI-1-003 UNI-2-003 UNI-3-003	Rear Panel	1
CON-1-003 CON-2-003 CON-3-003	Contempo Drip Tray Grid	1
CLA-1-003 CLA-2-003 CLA-3-003	Classic Drip Tray Grip	1
UNI-1-004 UNI-2-004 UNI-3-004	Drip Tray Outer	1
CON-1-004S CON-2-004S CON-3-004S	Contempo Wrap Around STD	1
CON-1-004R CON-2-004R CON-3-004R	Contempo Raised GRP 150mm	1
CLA-1-004S CLA-2-004S CLA-3-004S	Classic Wrap Around STD	1

FC189	Main Power Switch/Group Switch	1
FC190R	Neon Illuminator	1
FC116	Cable Grommet	2
FC189/C	Group Switch Assembly	2
FC189/CA	Group Switch Housing	2
FC189/CS	Group Switch	2
	Chassis	
UNI-1-005 UNI-2-005 UNI-3-005	Chassis	1
FC140/A	Waste cup All Models	1
FC244	Rubber Feet	4
FC244L	Chrome Contempo Foot	4
FC244R	Rubber Ring Contempo Foot	4
FC244CN	New St. Steel Foot Cover (200X – on)	4
FC140/1 FC140/2 FC140/3	Expansion Valve to Waste Cup	1
FC179	Pressure Gauge	1
FC179A	Pressure Gauge Bracket	1
FC179B	1/8" Lock Nut	2
FC152	Pressure Gauge to Boiler Pipe	1
FC153	Pressure Gauge to Manifold Pipe	1
FC224	Pump Motor	1
FC225	Pump Head (inc. Retaining Clip)	1
FC226	Anti Vibration Feet	4
FC169	Pressure Switch	1
FC169A	Pressure Switch Lock Nut	1
FC169B	Pressure Switch Bracket	1
FC172A	Electronic Water Control	1
	Boiler	
FC83 (1 Group) FC83 (2 Group) FC83 (3 Group)	Boilers	1
FC92	Flow Meter (auto only)	1,2 or 3
FC134	Safety Valve	1
FC191	Probe	1
FC161	Element 2700W 1GRP	1
FC161/4	Element 4000W 1GRP	1
FC162	Element 4000W 2GRP	1
FC163	Element 7500W 3GRP	1
FC162/B	Element 7500W	1
FC162/C	Element 2850W	1
FC165/IC	Element Cover	1
FC149B	Steam Valve to Boiler Pipe Right	1
FC150/B	Steam/Water Valve to Boiler Pipe Right	1

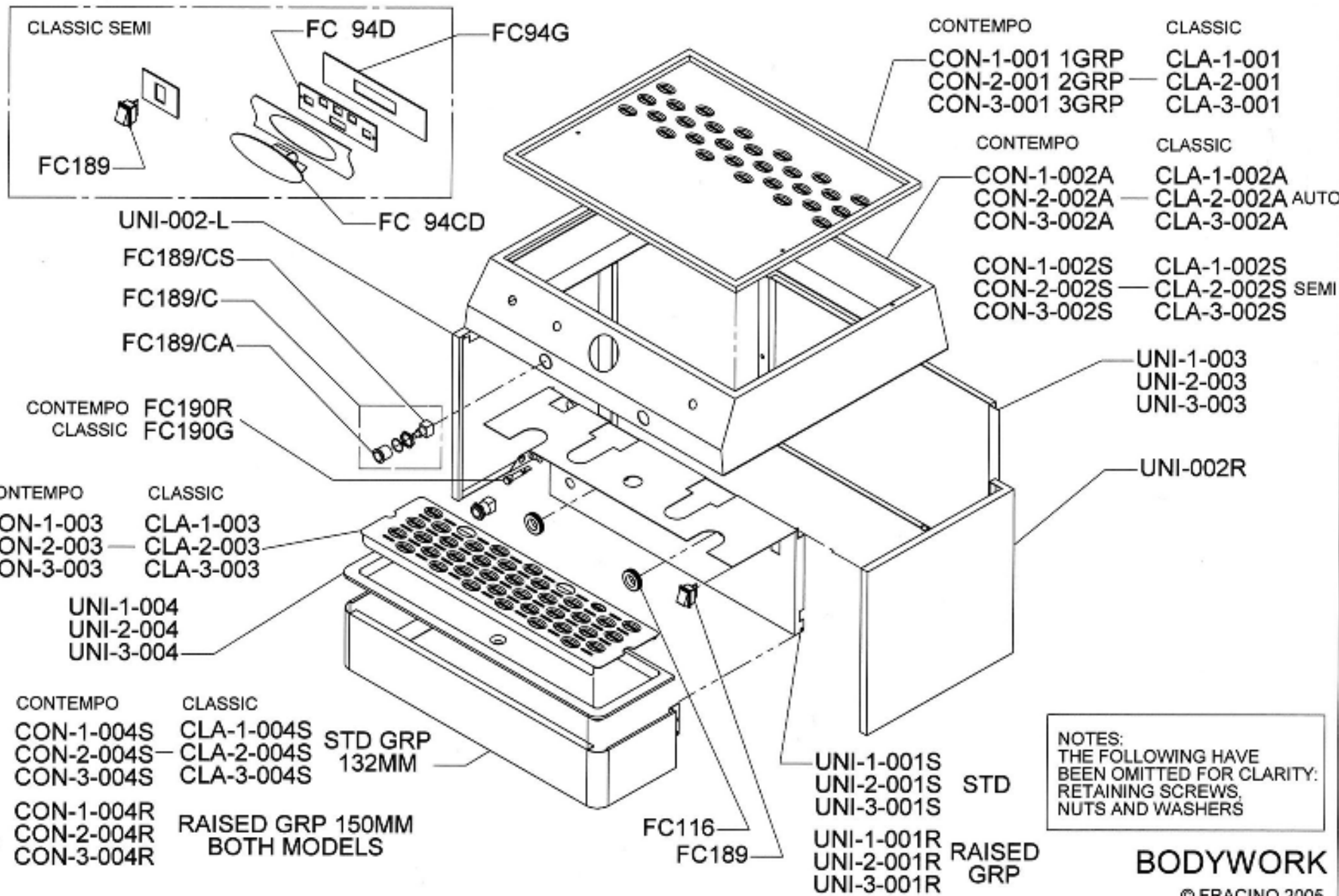
BAM147	Heat Exchanger to Group Pipe (top)	2
FC151-2	Pressure Switch to Boiler Pipe	1
FC150/3B	Hot Water Valve to Boiler Pipe	1
ROM148	Heat Exchange to Group Pipe Bottom	1, 2 or 3
BAM141/1 (1GRP) BAM141/1 (2GRP) BAM141/1 (3GRP)	Manifold to Heat Exchange Pipe (Semi)	1
FC146/2B	Manual Fill/Solenoid Valve to Boiler Pipe	1
FC144	Top Sight Glass Pipe	1
FC145	Sight Glass to Boiler Bottom	1
FC165	Element Gasket Silicon	1
FC165F	Element Gasket Fibre	1
FC165T	Element Gasket Teflon	1
FC165V	Element Gasket Vitron	1
BAM154/2	Flow Meter to Manifold	1
FC155/A	Flow Meter to Heat Exchange (auto only)	1
	Manifold	
FC136	Inlet Hose – Pump to Manifold	1
FC138A	Manifold Forged	1
FC170	Manual Fill Valve	1
FC178G	Adjustment Screw	1
FC178B	Expansion Valve Spring	1
FC178FV2	Expansion Valve Jumper	1
FC171	Inlet Solenoid Valve	1
FC137/C	Braided Inlet Hose 3/8" Elbow x 3/4" Straight 2.5M	1
FC180CN	M20 Lock Nut	1
FC198	Pad Washer	1
FC178/D	3/8"x 1/4" Special Fitting	1
FC180ANT	Non Return Valve Fitting	1
FC180BNT	Non Return Valve Stem	1
FC180DNT	Non Return Valve Spring	1
HEA180A	'O' Ring	1
	Manifold (2008-on) As above with addition off:	
UNI145	Manifold to Solenoid Pipe	1
UNI146	Solenoid to Boiler Inlet Pipe	1
UNI142	Boiler Inlet to Manual Fill Valve	1
FC156	Boiler Inlet	1
	Filter Holder	
FC107	Single Filter (7gm)	1
FC107/D (10)	Single Filter (10gm)	1
FC107POD	Single Pod Filter	1
FC110	Filter Spring	1
FC111A	Single beak	1

FC105	Single Filter Holder Complete	1
FC108 (12)	Double Filter (12 gm)	1
FC108/D (14)	Double Filter (14 gm)	1
FC105A	Double Filter Holder Complete	1
FC112	Double Beak (closed)	1
FC112/I	Double Beak (open)	1
FC112/AF	Double Beak Adjustable Flow	1
FC111A	Single Beak Curved	1
FC111	Single Beak Curved 06 -on	1
	Group	1, 2 or 3
FC132B	Blank Nut small	1
FC99	Group Body	1
FC104	Filter Holder Washer (0.8mm thick)	1
FC104/8.5	Filter Holder Washer (8.5mm thick)	1
FC104/9	Filter Holder Washer (9.0mm thick)	1
FC104P	Filter Holder Paper Packing	1
FC103M	Shower Plate	1
FC103S	Shower Plate Screw	1
FC97B	Group Cowl	1
FC132A	Top Jet Filter Holder	1
FC130	Filter	1
FC129	Jet	1
FC101	Group Gasket	1
FC120	Solenoid Base 'O' Ring	2
FC116	Solenoid Base	1
FC119	Solenoid Base Screws	4
FC121	Solenoid Nucleus Ruby	1
FC121/V	Solenoid Nucleus Vitron	1
FC122	Solenoid Outer Case	1
FC124/1	Solenoid Coil with Cables	1
FC124A	Coil Washer	1
FC124B	Coil Spring Washer	1
FC1214C	Coil Lock Nut	1
FC95N	Exhaust Fitting	1
	Sight Glass Assembly	
FC181A	Sight Glass Assembly Complete	1
FC181	Sight Glass	1
FC182	Sight Glass 'O' Ring Vitron	3
FC183	Sight Glass Brass Ring	2
FC184	Sight Glass Top Holder	1
FC185/A	Sight Glass Bottom Holder (inc. Drain Plug)	1
FC185/B	Sight Glass Drain Plug (chrome)	-
FC186	Sight Glass Retaining Nut	2
FC187N	Sight Glass Front	1
FC191	Probe Working Level	1
FC191A	Probe St. Steel Rod	1

FC191B	Probe Insulator	1
FC196B	3/8" BSP Lock Nut	2
FC196C	3/8" BSP St. Washer	2
FC190G	Green Neon Water Fill	1
FC190R	Red Neon	1
FC135	Air Release Valve	1
	Water and Steam Wands	
FC222AB/CON	Complete Hot Water Valve Contempo	1
FC222AB/04	Complete Hot Water Valve Classic	1
FC222AA/04	Steam Valve and Tube Assembly (complete)	1, 2 or 3
FC222L/HR	Cap for Hand Wheel (hot water) Chrome	1
FC222L/RW	Cap for Hand Wheel (hot water) Black	1
FC222L/R	Cap for Hand Wheel (steam) Chrome	1 or 2
FC222L/RS	Cap for Hand Wheel (steam) Black	1 or 2
FC222K/D91	'R' Holding Clip St. Steel	2 or 3
FC222J	St. Steel Securing Washer	2 or 3
FC222H/R	Hand Wheel Curved Sided (Black)	2 or 3
FC222H	Hand Wheel Curved Sided (Glitter)	2 or 3
FC222N	Hand Wheel Tension Spring	2 or 3
FC222P	Spring Retaining Cup	2 or 3
FC222Q	Hand Wheel Spacer	2 or 3
FC196C	Lock Nut 1/2" BSP	2 or 3
FC222R	Valve Head and Stem Guide	2 or 3
FC222RS	Valve Head New 09/030N	
FC222SG	'O' Rings Valve Stems	4 or 6
FC222T	Brass Gland Stem Seal	2 or 3
FC222U	Spring (valve stem)	2 or 3
FC198A	Pad Washer	2 or 3
FC222V	Valve Stem Long Head	2 or 3
FC222VS	Valve Stem Short Head	2 or 3
FC222A/03	Valve Body Angled (steam)	2
FC222A	Valve Body (hot water valve)	1
FC222G	Seal	2 or 3
FC222C	Spring (steam pipe)	2 or 3
FC222F/M	Brass Spacer Spherical 'end mod'	2 or 3
FC221D	Steam/Water Tube Retaining Nut	2 or 3
CON222C	Water Pipe St. Steel Contempo	1
FC222X	Steam Pipe St. Steel 04 on	1
FC194E	Hot Water nozzle complete	1
FC221ES/CP	Chrome Ball Plate	2 Classic 3 Contempo
FC222E/M	'O' Ring	2 Classic 3 Contempo
FC56	Steam Tube Clip	1 or 2
FC194/B	Steam Jet Nozzle	1 or 2

	Miscellaneous	
FC158	Plug Lead	1
FC158/A	Power Cable 2.5mm	1
FC158/M	Power Cable 6mm	1
FC160/1GR FC160/2GR FC160/3GR	Wiring Harness (semi)	1
FC159/1 FC159/2 FC159/3	Wiring Harness (auto)	1

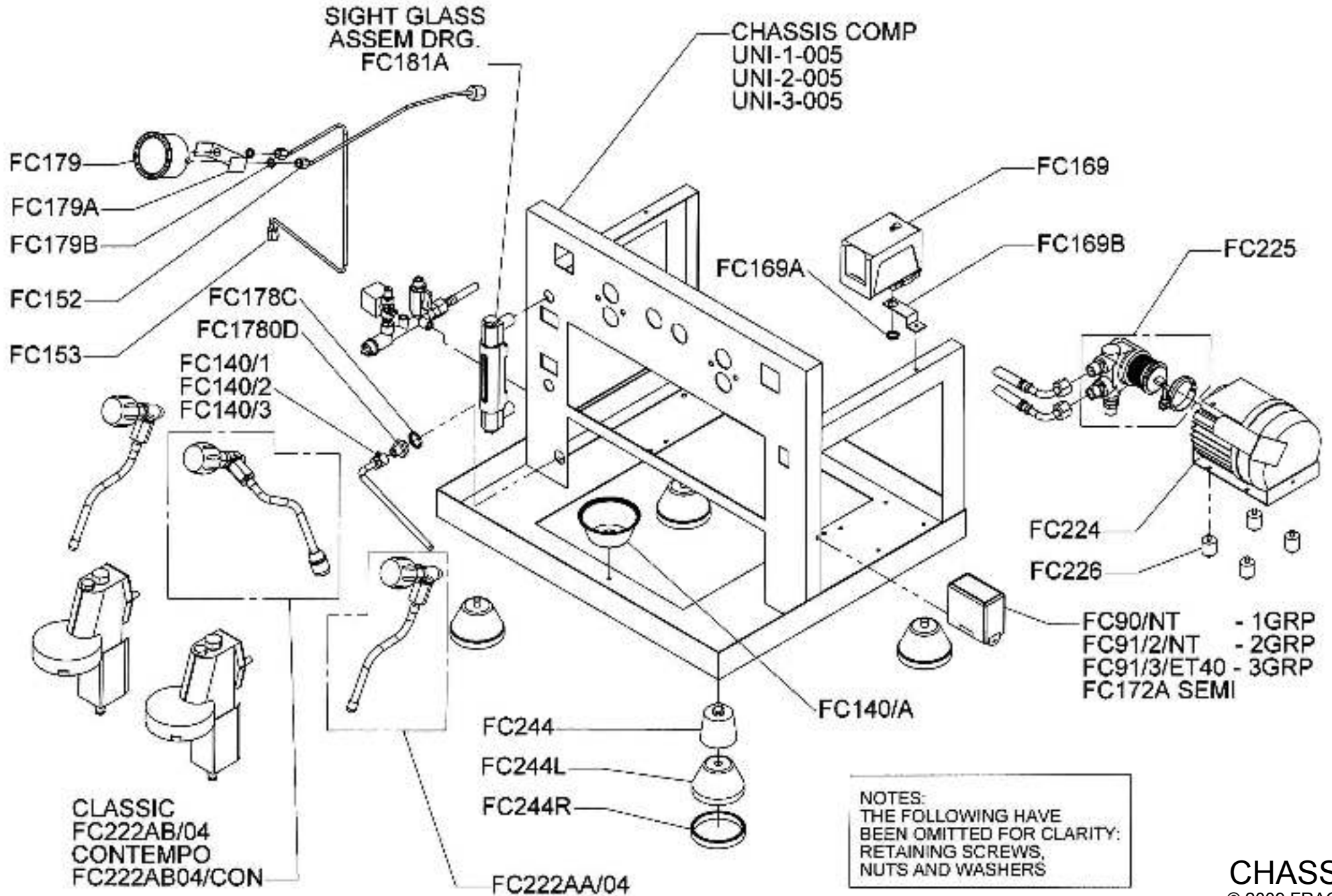
CLASSIC & CONTEMPO (2 GROUP ESPRESSO COFFEE MACHINE)



NOTES:
THE FOLLOWING HAVE
BEEN OMITTED FOR CLARITY:
RETAINING SCREWS,
NUTS AND WASHERS

BODYWORK
© FRACINO 2005

CLASSIC & CONTEMPO (2 GROUP ESPRESSO COFFEE MACHINE)

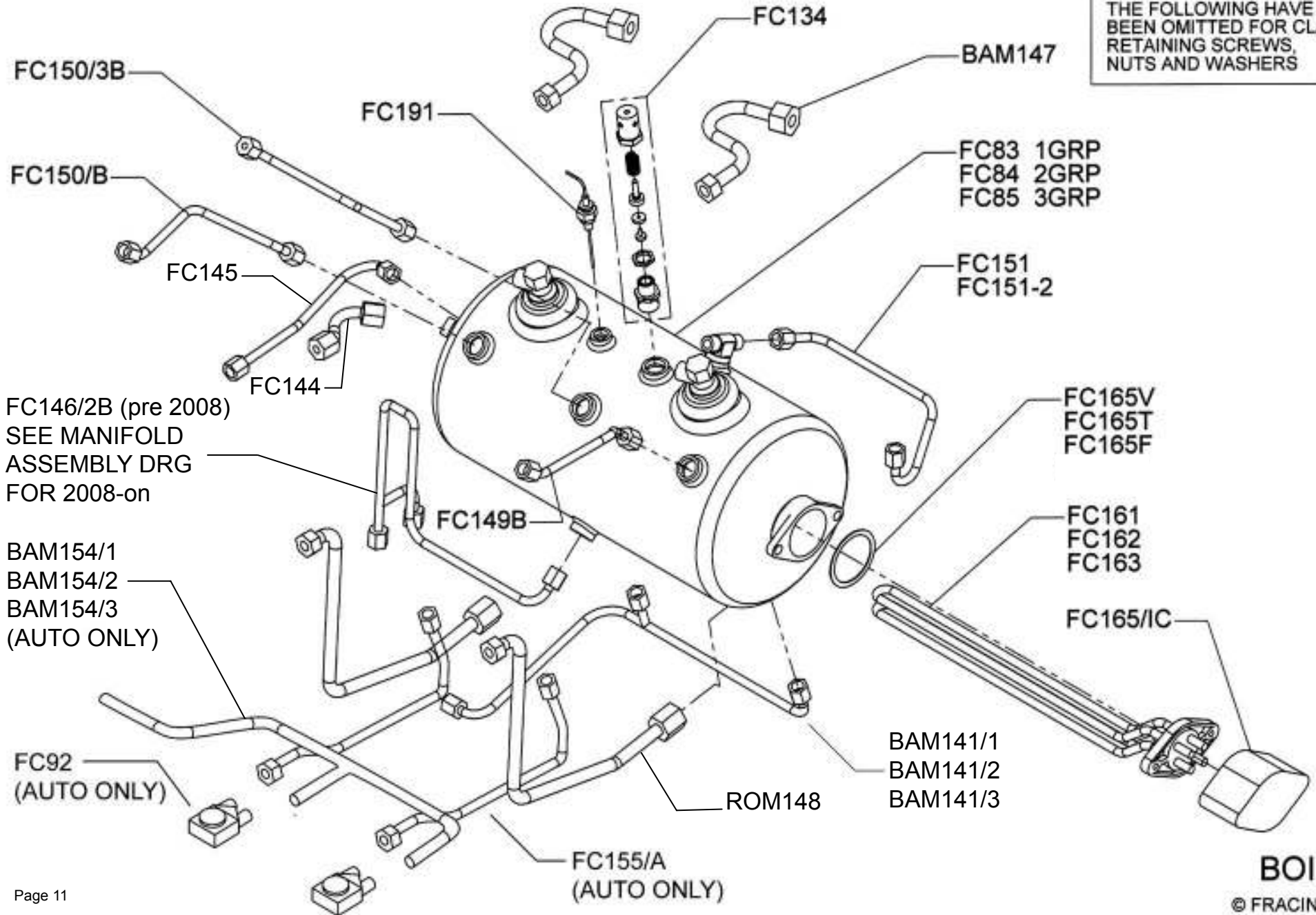


NOTES:
THE FOLLOWING HAVE
BEEN OMITTED FOR CLARITY:
RETAINING SCREWS,
NUTS AND WASHERS

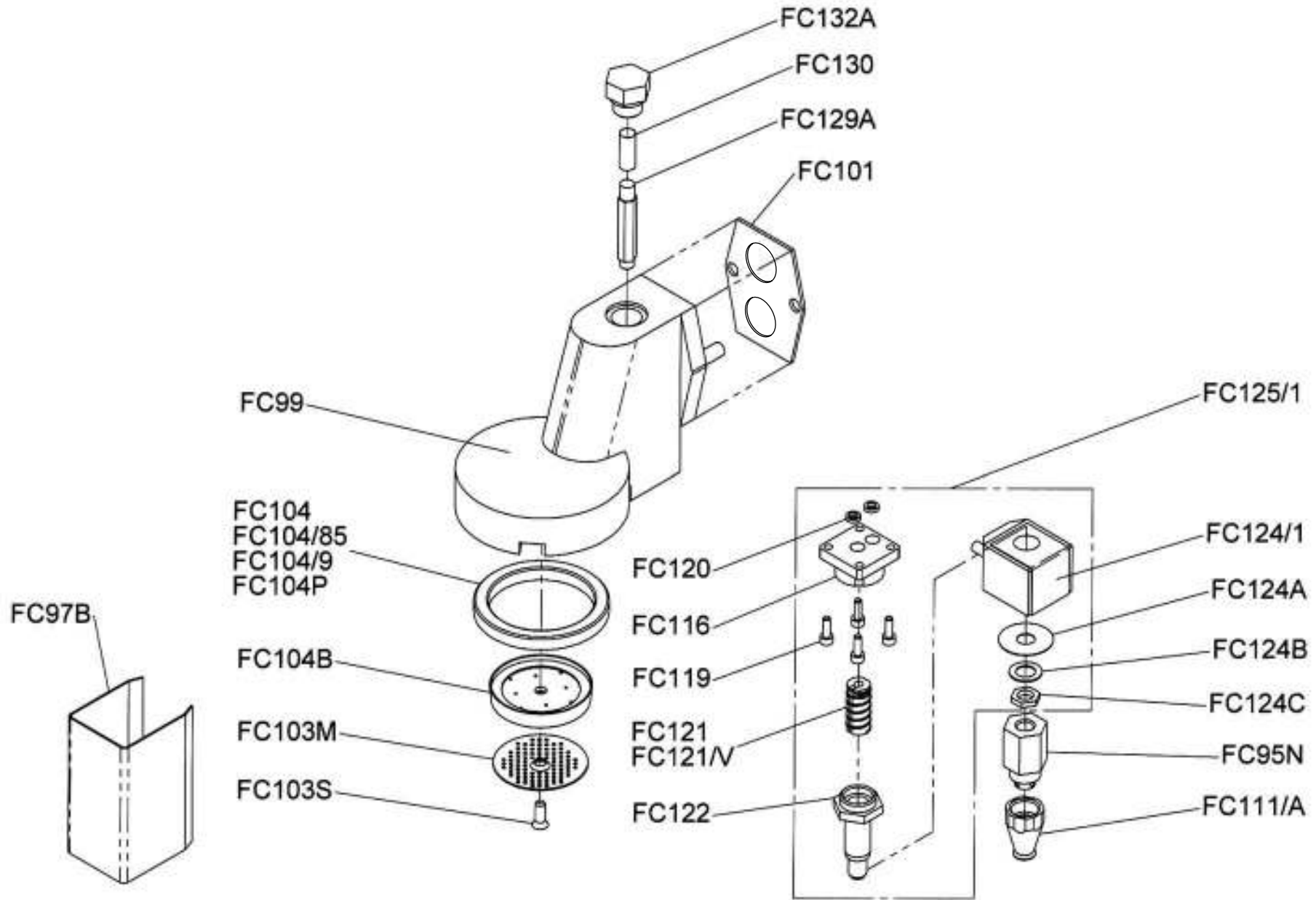
CHASSIS
© 2009 FRACINO

CLASSIC & CONTEMPO (2 GROUP ESPRESSO COFFEE MACHINE)

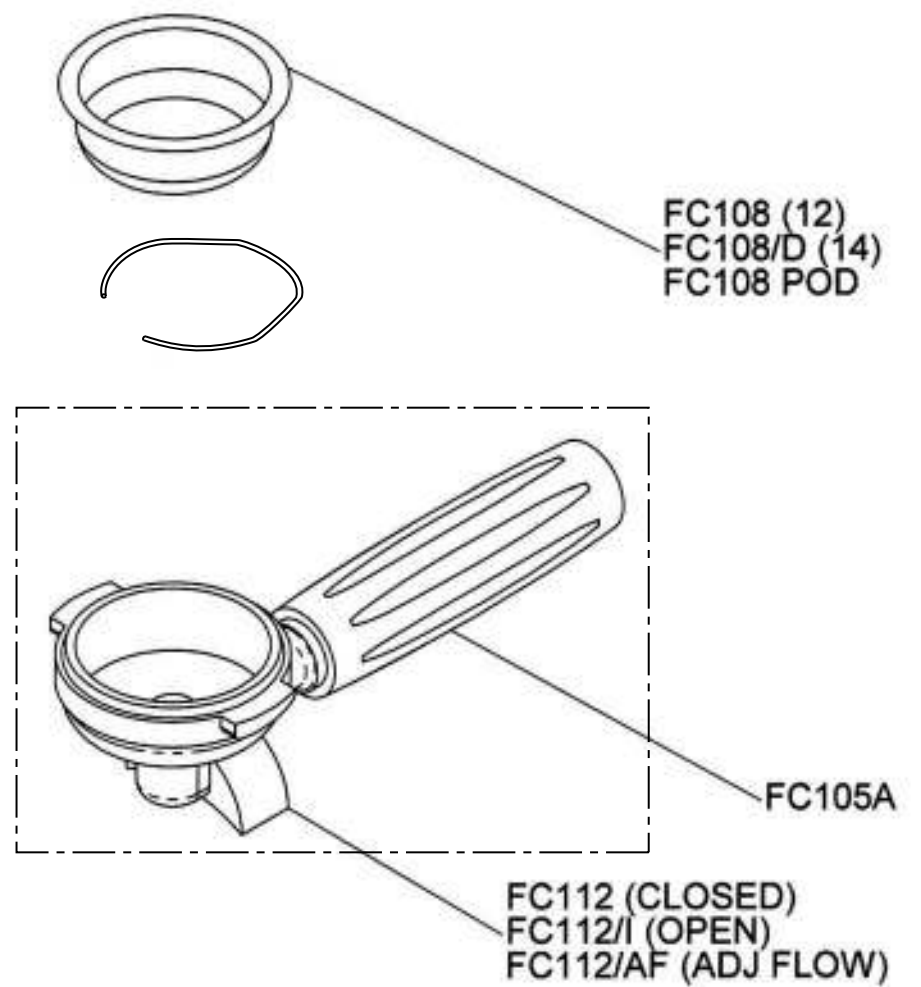
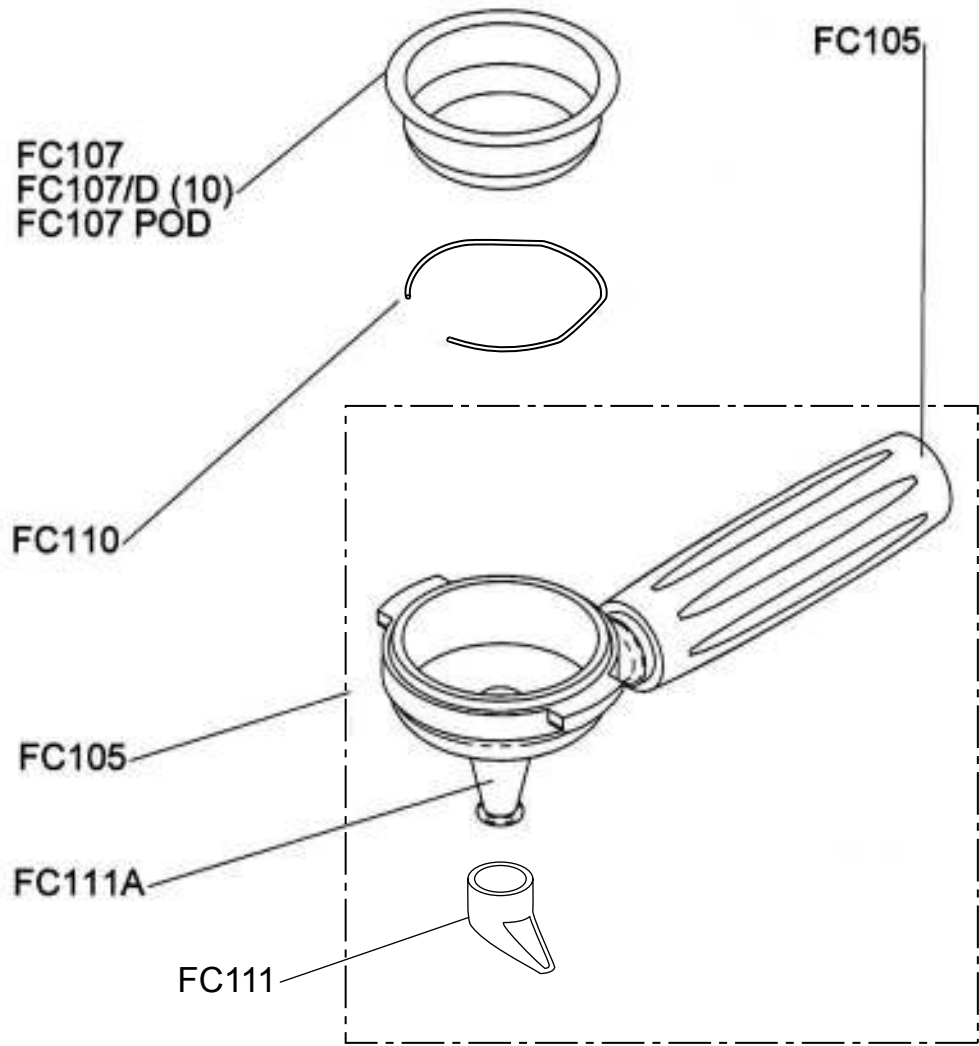
NOTES:
THE FOLLOWING HAVE
BEEN OMITTED FOR CLARITY:
RETAINING SCREWS,
NUTS AND WASHERS



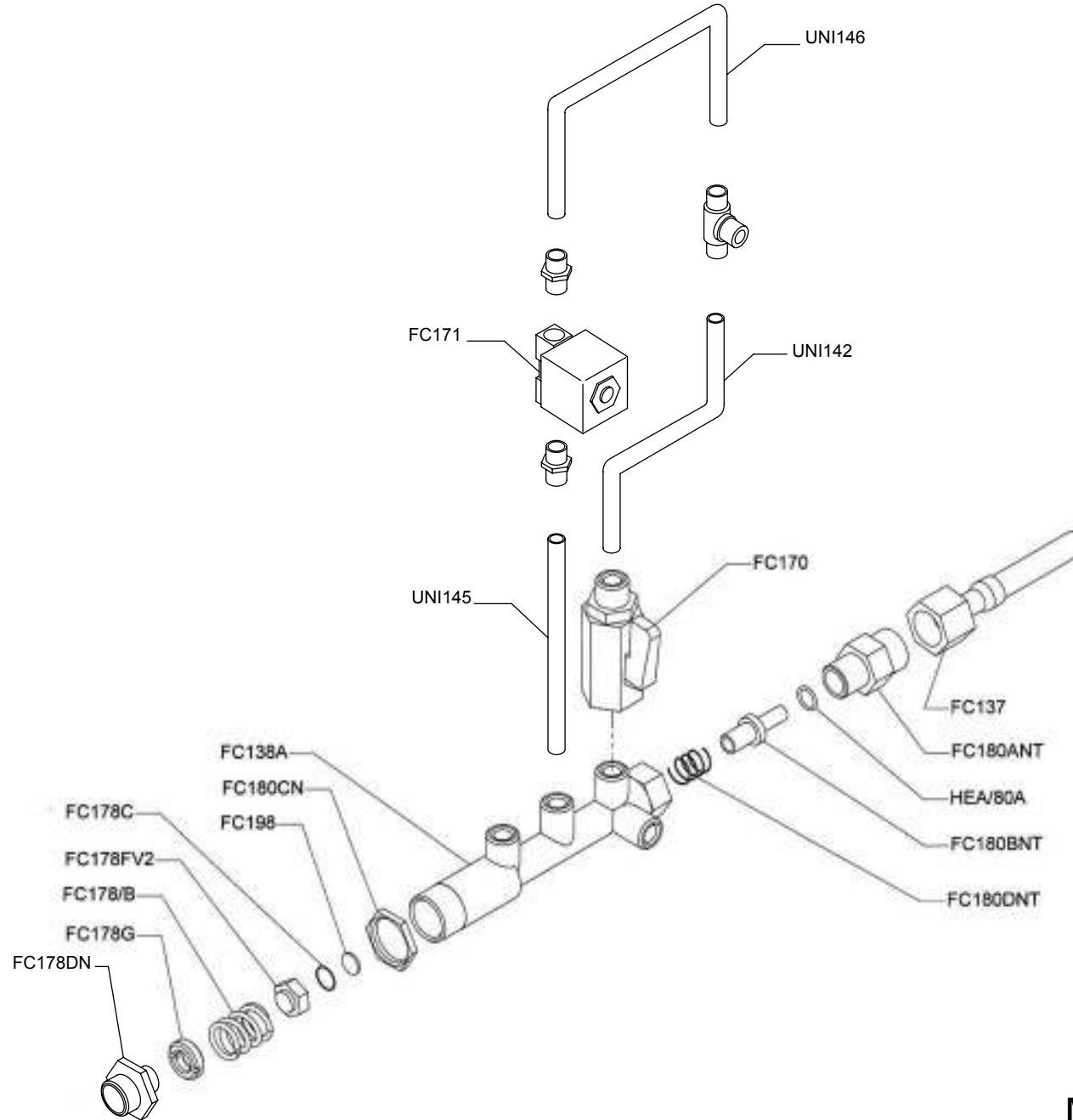
CLASSIC & CONTEMPO (2 GROUP ESPRESSO COFFEE MACHINE)



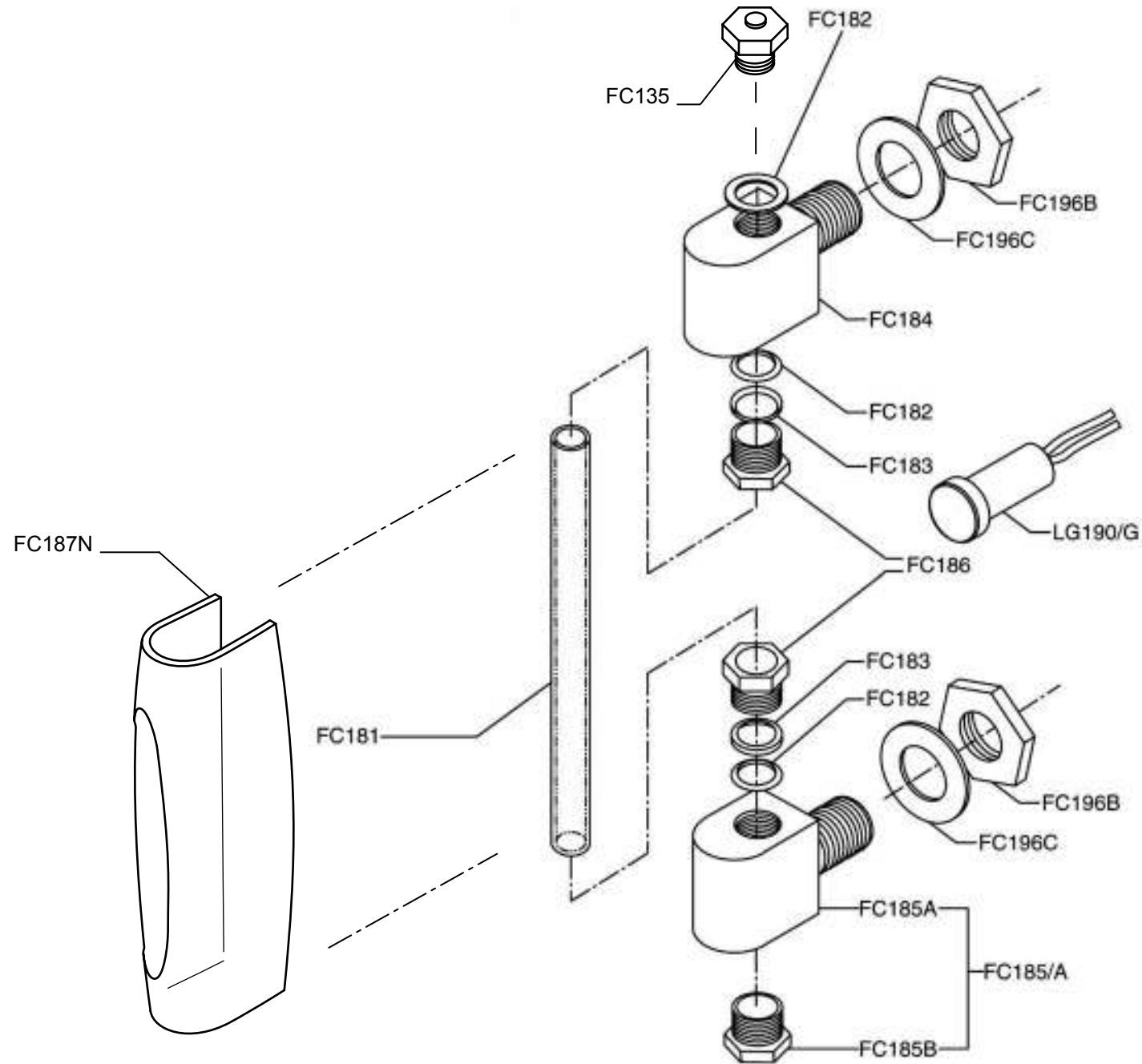
CLASSIC & CONTEMPO (2 GROUP ESPRESSO COFFEE MACHINE)



CONTEMPO (2 GROUP ESPRESSO COFFEE MACHINE)



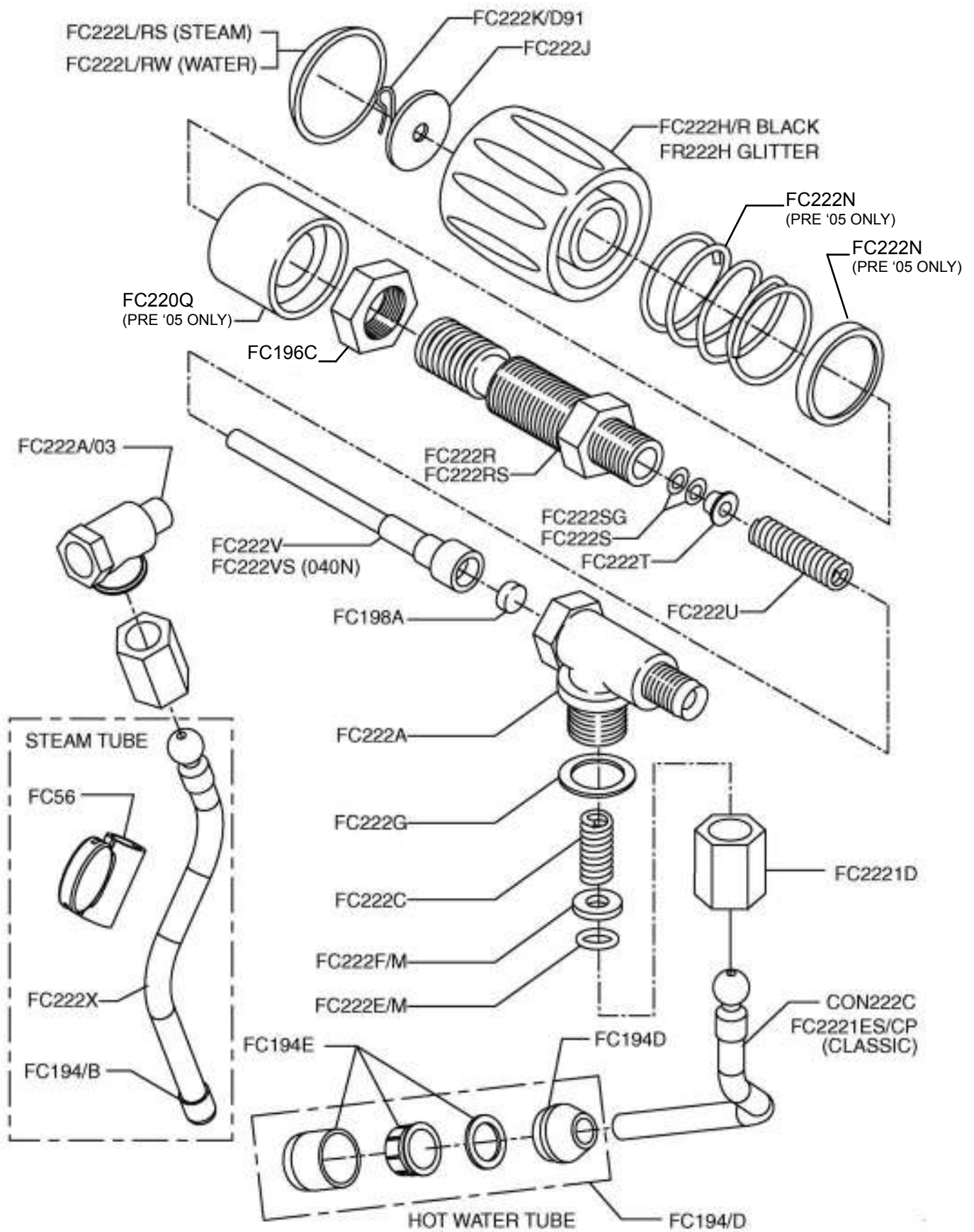
CLASSIC & CONTEMPO (2 GROUP ESPRESSO COFFEE MACHINE)



SIGHT GLASS ASSEMBLY

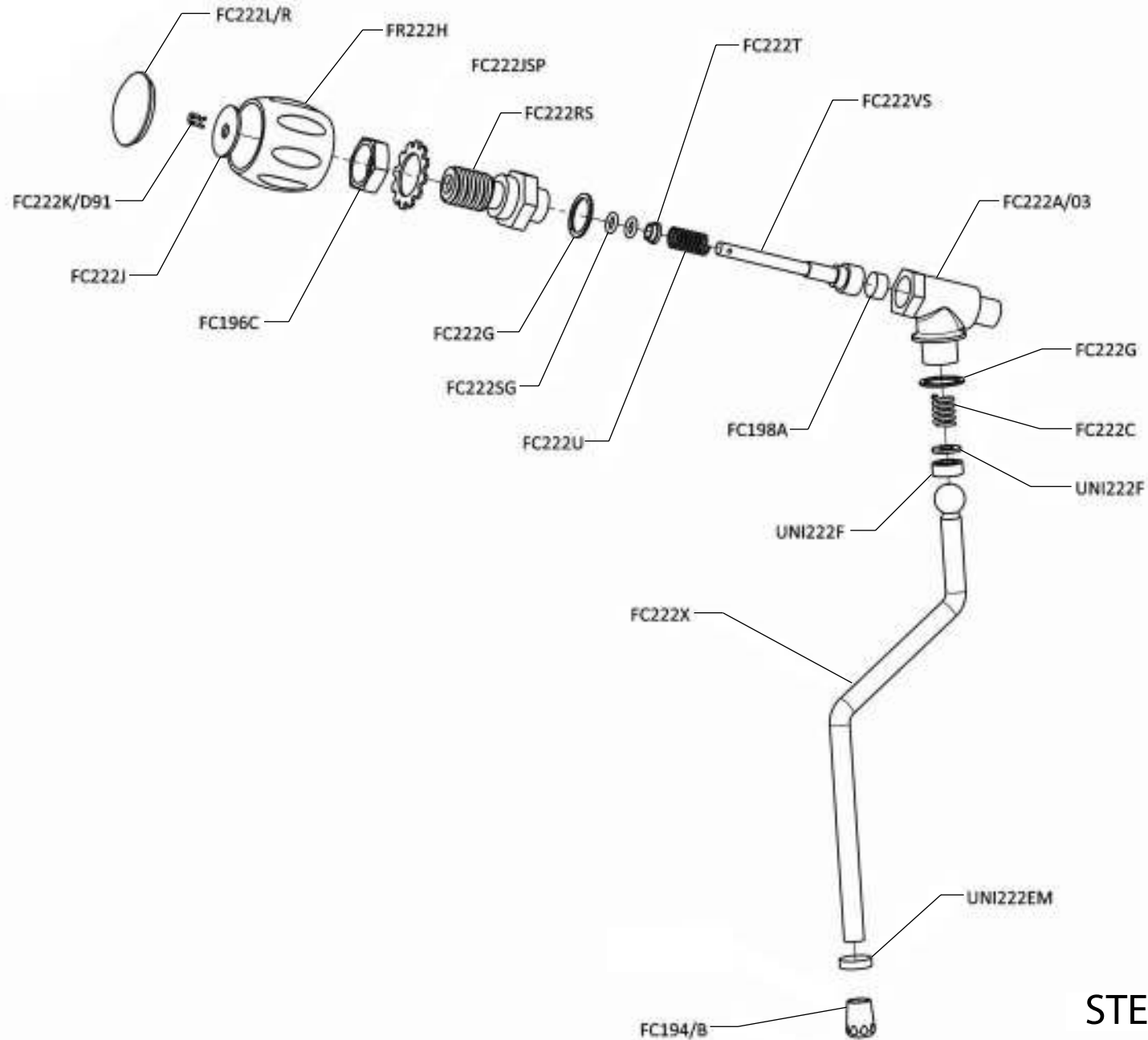
© 2009 FRACINO

CLASSIC & CONTEMPO (2 GROUP ESPRESSO COFFEE MACHINE)

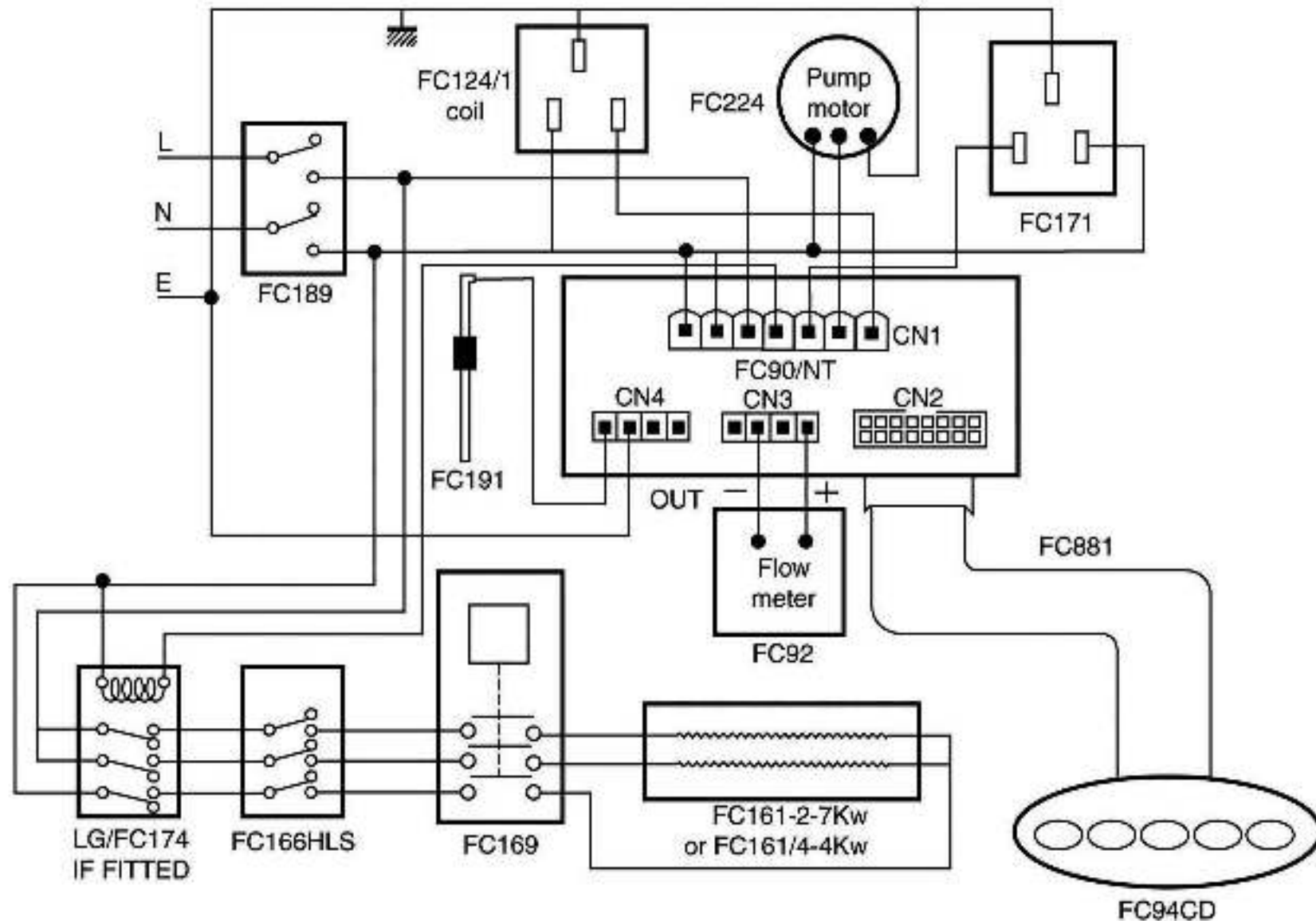


STEAM AND WATER VALVES

CLASSIC & CONTEMPO ESPRESSO COFFEE MACHINE

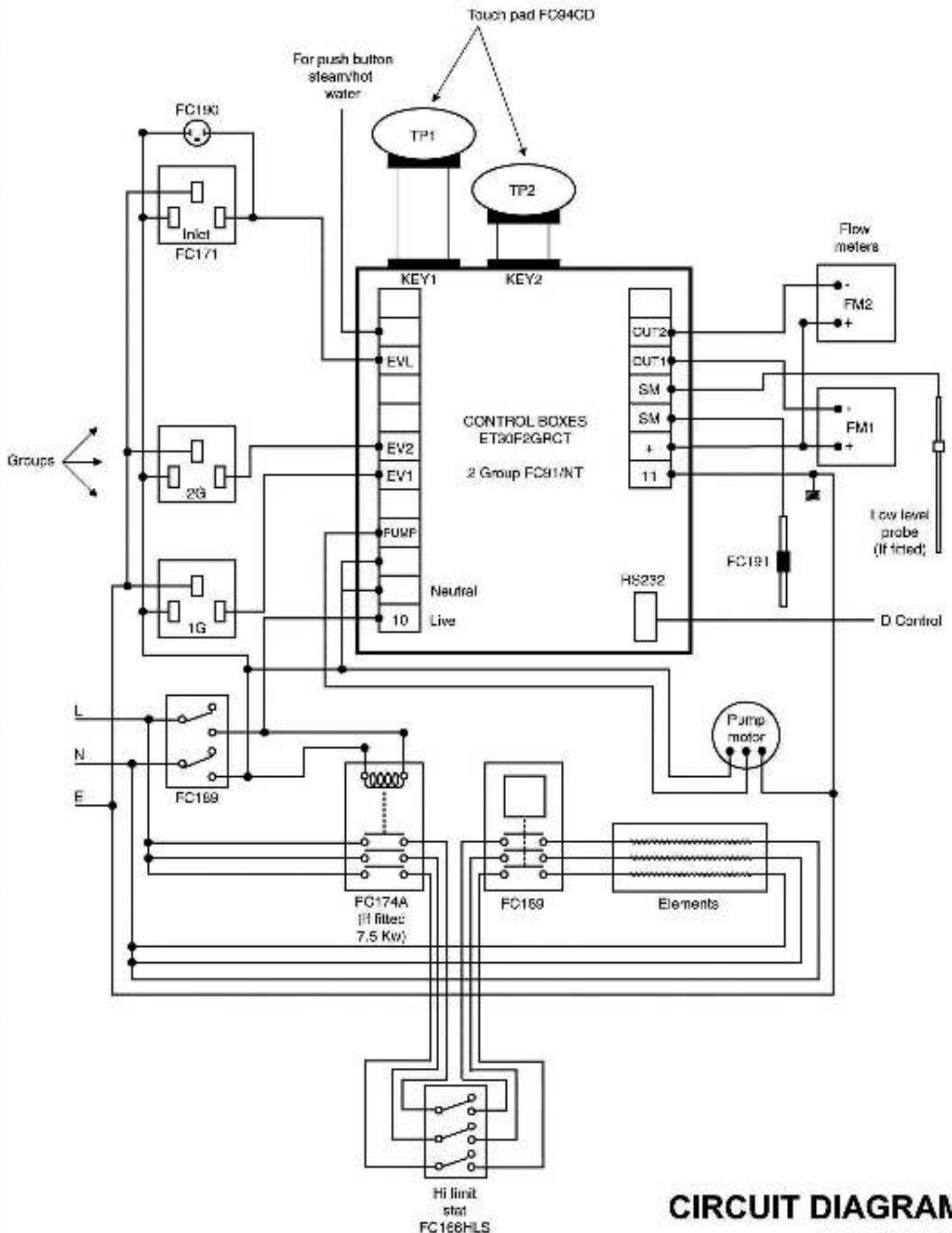


CONTEMPO/CLASSIC/GEM AUTO ONE GROUP



CIRCUIT DIAGRAM

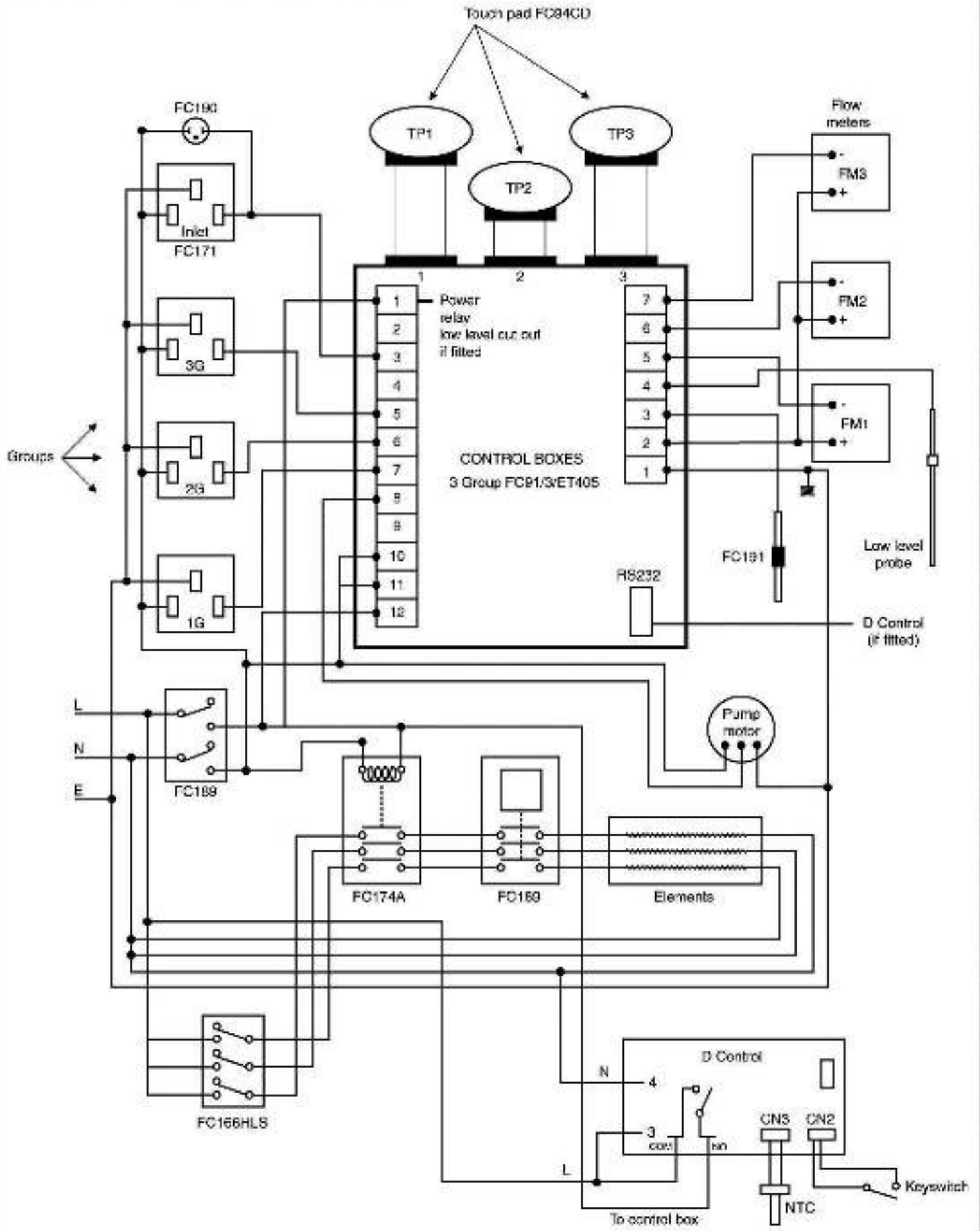
CONTEMPO/CLASSIC AUTOMATIC TWO GROUPS



CIRCUIT DIAGRAM

© FRACINO 2005

CONTEMPO/CLASSIC ROMANO THREE GROUPS



CIRCUIT DIAGRAM
© 2009 FRACINO