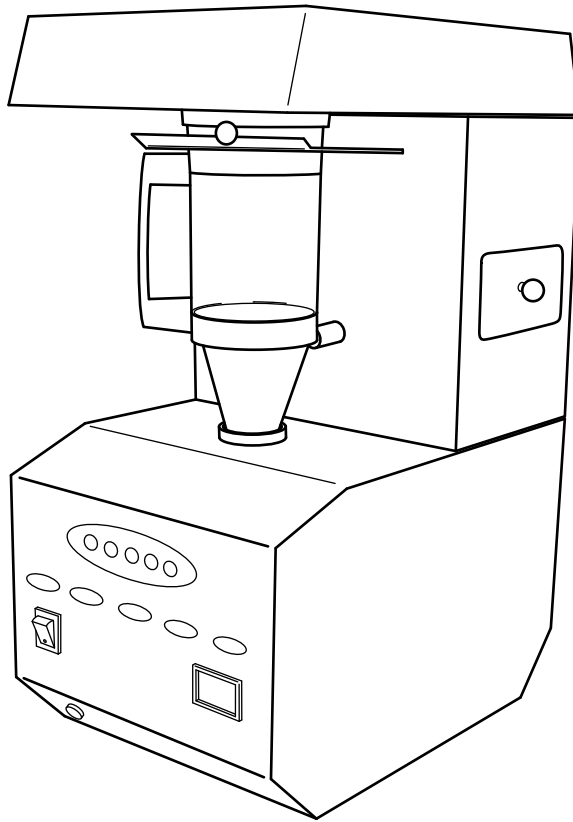


ROASTILINO COFFEE ROASTER

PARTS LIST



Fracino
17-19 Birch Road East
Birmingham
B6 7DA

TEL: 0121 328 5757
FAX: 0121 327 3333
EMAIL: sales@fracino.com

CONTENTS

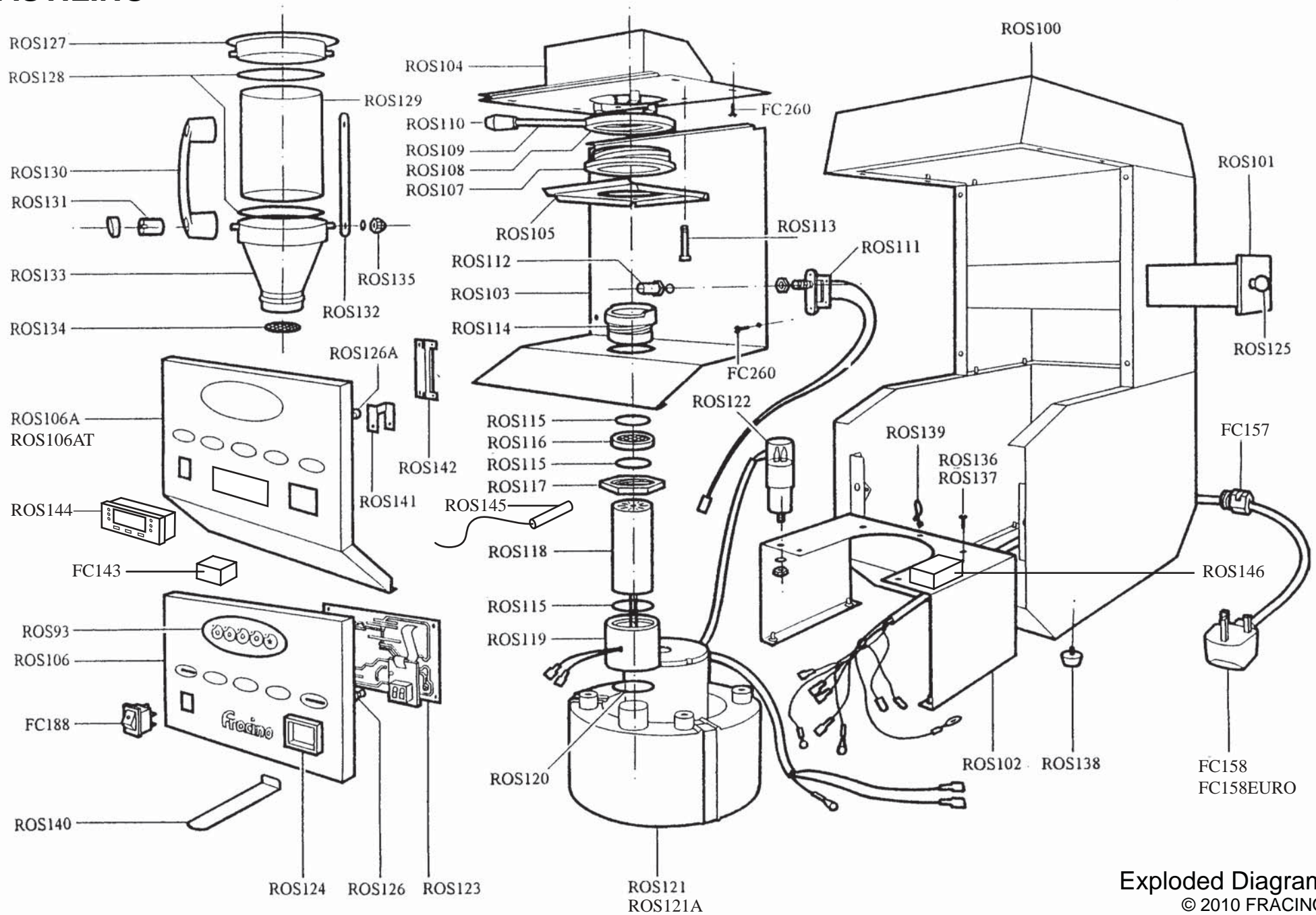
Page

- 1-2 Part list
- 3 Exploded Diagram
- 4 Wiring Diagram
- 5 Wiring Diagram for Machines Fitted with Temperature Control

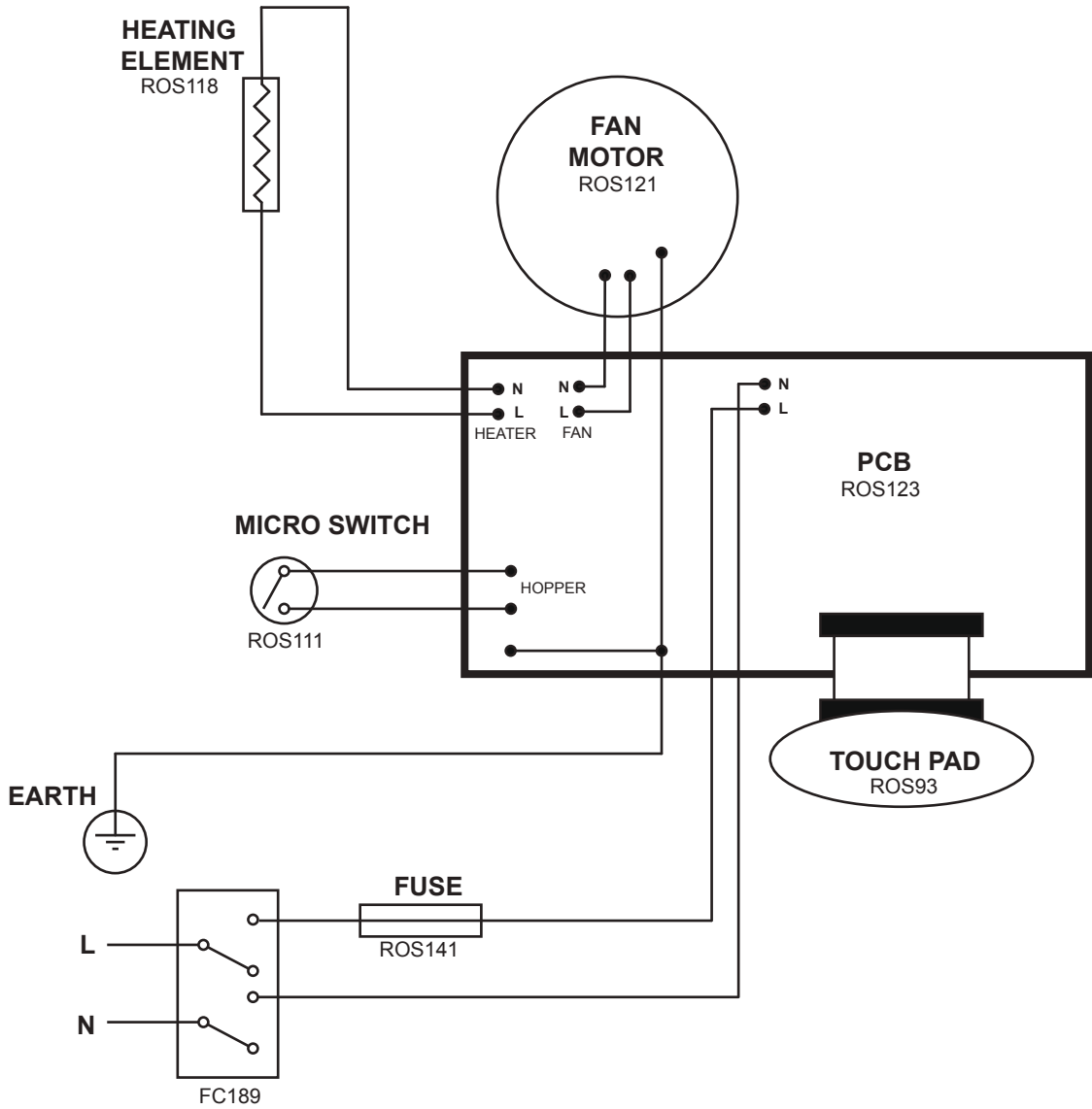
| Part No. | Description | Quantity |
|----------|---|----------|
| ROS100 | Body shell | 1 |
| ROS101 | Husk drawer | 1 |
| ROS102 | Fan motor mounting plate | 1 |
| ROS103 | Front plate | 1 |
| ROS104 | Top plate | 1 |
| ROS105 | Jug guide and hold plate | 1 |
| ROS106 | Front panel | 1 |
| ROS106AT | Front panel for Roastilino with temp. control | 1 |
| ROS107 | Inner clamping ring | 1 |
| ROS108 | Outer clamping ring | 1 |
| ROS109 | Clamp handle rod | 1 |
| ROS110 | Clamp handle | 1 |
| ROS111 | Micro switch | 1 |
| ROS112 | Microswitch cover | 1 |
| ROS113 | Clamp plate guide | 1 |
| ROS114 | Top element boss | 1 |
| ROS115 | O-Ring Element Boss | 1 |
| ROS116 | S/S Mesh | 1 |
| ROS117 | Lock Nut | 1 |
| ROS118 | Element | 1 |
| ROS118J | Element 210V 50/60Hz | 1 |
| ROS119 | Element to motor boss | 1 |
| ROS120 | O-Ring Element to fan motor boss | 1 |
| ROS121 | Fan Motor 230V 50Hz | 1 |
| ROS121A | Fan Motor Special 2 Stage 220V 60Hz | 1 |
| ROS122 | Capacitor | 1 |
| ROS123 | Electronic board | 1 |
| ROS124 | Bezel C/W Red filter | 1 |
| ROS125 | Husk drawer knob | 1 |
| ROS126 | Panel stud M5 Latch | 2 |
| ROS127 | Top glass holder | 1 |
| ROS128 | Glass seals | 1 |
| ROS129 | Jug glass | 1 |
| ROS130 | Jug handle | 1 |
| ROS131 | Jug handle screw | 1 |
| ROS132 | Jug strap | 1 |
| ROS133 | Jug funnel | 1 |
| ROS133P | Polished Plate Funnel | 1 |
| ROS134 | Jug Mesh | 1 |
| ROS135 | M6 Domed nut | |
| ROS136 | M5 Screw | |
| ROS137 | M5 Bolt | |
| ROS138 | Rubber foot | 4 |
| ROS139 | Cable tie | |
| ROS140 | Front panel removal tool | 1 |
| ROS141 | 20Amp fuse carrier | 1 |

| | | |
|-----------|--|---|
| ROS142 | 12.5Amp Fuse ¼ x 1 ¼ | 1 |
| ROS143 | Transformer for electronic temp. control | 1 |
| ROS144 | Electronic temp. control PID | 1 |
| ROS145 | Temperature probe for electronic temp. control | 1 |
| ROS146 | Solid state relay for temp. control | 1 |
| ROS147 | 2 Way HSG 143-126 | 1 |
| ROS93 | Key Pad | 1 |
| FC157 | Cable restraining bush | 1 |
| FC158 | Power lead with 13Amp UK plug | 1 |
| FC158EURO | Power lead with 16Amp Sckuko Plug | 1 |
| | | |

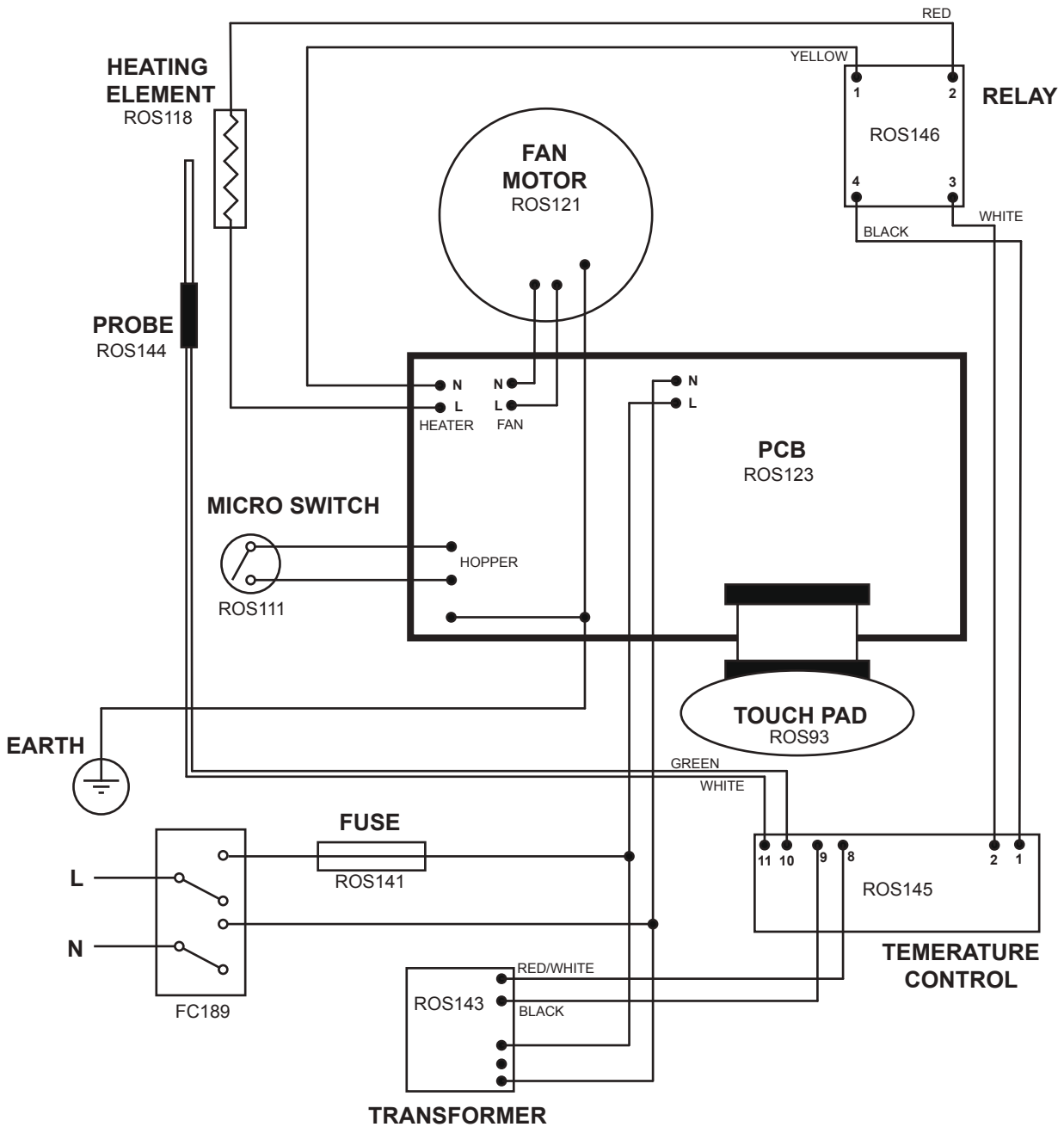
ROASTILINO



ROASTILINO



ROASTILINO



Wiring Diagram for Machines Fitted with Temperature Control